

TOWN OF CLARESHOLM

SERVICING STANDARDS

FOR

MUNICIPAL IMPROVEMENTS



Claresholm

Where **Community** Takes Root

Revision – December 2017

SECTION 1: GENERAL CONDITIONS AND PROCEDURES		1-1
1.1.0	Definitions	1-1
1.2.0	General	1-2
1.2.1	Development Brief	1-2
1.2.2	Developer’s Engineer	1-2
1.2.3	Development Proposal.....	1-2
1.2.4	Overall Layout.....	1-3
1.2.5	Municipal Services	1-3
1.2.6	Existing Improvements.....	1-4
1.3.0	General Conditions.....	1-5
1.3.1	Scope	1-5
1.3.2	Design Standards.....	1-6
1.4.0	Procedure.....	1-6
1.4.1	Engineering Design	1-6
1.4.2	Submission of Engineering Design	1-7
1.4.3	Preliminary Design Review.....	1-7
1.4.4	Final Design Review	1-7
1.4.5	Right-of-Way Documents.....	1-8
1.4.6	Oil and Gas Pipeline Crossing Agreements	1-8
1.4.7	Construction Approval	1-8
1.4.8	Engineering Supervision	1-8
1.4.9	Survey Control System.....	1-9
1.4.10	Testing and Inspections	1-9
1.4.11	As-Built Drawings.....	1-9
1.4.12	Construction Completion and Final Acceptance Certificates	1-10
1.4.13	Building Permits.....	1-10

SECTION 2: PREPARATION OF ENGINEERING DRAWINGS..... 2-1

PART 1 - DESIGN DRAWINGS

1.1.0	Scope	2-1
1.2.0	Drawing Size, Material and Basic Layout.....	2-1
1.3.0	Scales	2-1
1.4.0	Drawing Technique	2-1
1.5.0	General Requirements for all Services	2-2
1.6.0	Overall Plans	2-2
	1.6.1 Cover Sheet	2-2
	1.6.2 Index Plan.....	2-2
	1.6.3 Road and Sidewalk Plans	2-2
	1.6.4 Lot Grading Plans.....	2-2
	1.6.5 Landscaping Plans	2-3
	1.6.6 Sanitary Sewer, Storm Sewer and Watermain Plans.....	2-3
	1.6.7 Stormwater Management Plans.....	2-3
	1.6.8 Power, Gas, Telephone and Television Cable Plans.....	2-3
1.7.0	Detailed Plan/Profile	2-3
	1.7.1 Water	2-3
	1.7.2 Requirements for Sanitary and Storm Sewer	2-4
	1.7.3 Requirements for Roads	2-4
1.8.0	Additional Details.....	2-5

PART 2 - AS-BUILT DRAWINGS

2.1.0	Scope	2-6
	2.1.1 General	2-6
	2.1.2 Building Grade Plans.....	2-6

SECTION 3: WATER DISTRIBUTION SYSTEM..... 3-1

3.1.0	Design Requirements.....	3-1
3.2.0	Watermains.....	3-2
3.2.1	Watermain – Material.....	3-2
3.2.2	Watermain – Location.....	3-2
3.3.0	Hydrants.....	3-2
3.3.1	Hydrant – Material.....	3-2
3.3.2	Hydrant – Location and Installation.....	3-3
3.4.0	Valves.....	3-4
3.4.1	Valve – Materials.....	3-4
3.4.2	Valve Boxes.....	3-4
3.4.3	Valve – Location.....	3-4
3.5.0	Trenching and Backfilling.....	3-5
3.6.0	Thrust Blocks.....	3-5
3.7.0	Disinfection.....	3-5
3.7.1	Testing.....	3-6

SECTION 4: SANITARY SEWERAGE SYSTEM 4-1

4.1.0	Design Factors.....	4-1
4.2.0	Sanitary Sewermain - Materials.....	4-2
4.3.0	Sewermain Installation and Location.....	4-3
4.4.0	Manhole Installation and Location.....	4-3
4.5.0	Curved Sewers.....	4-3
4.6.0	Trenching and Backfilling.....	4-4
4.7.0	Inspection and Testing.....	4-4
4.8.0	Wastewater Pump Stations.....	4-5

SECTION 5: STORM DRAINAGE SYSTEM..... 5-1

5.1.0	Design Factors	5-1
5.2.0	Storm Sewer mains - Materials.....	5-4
5.3.0	Storm Sewer Installation and Location	5-6
5.4.0	Manhole Installation and Location	5-6
5.5.0	Curved Sewers.....	5-7
5.6.0	Trenching and Backfilling.....	5-7
5.7.0	Inspection and Testing.....	5-7
5.8.0	Detention Facilities.....	5-7
5.9.0	Outfalls	5-9
5.10.0	Receiving Waters.....	5-10
5.11.0	Culverts and Bridges	5-10
5.12.0	Surface Drainage Swales	5-11
5.13.0	Major Drainage System Analysis	5-11

SECTION 6: SEWER AND WATER SERVICE CONNECTIONS 6-1

6.1.0	Service Connections	6-1
6.2.0	Sanitary Sewer Service - Materials	6-1
6.3.0	Water Service - Materials	6-2
6.4.0	Service Connections - Installation Requirements.....	6-2

SECTION 7: STREETS..... 7-1

7.1.0	Geometric Design Standards	7-1
7.2.0	Vertical Alignment	7-2
7.3.0	Horizontal Alignment	7-2
	7.3.1 Curb Returns.....	7-3
7.4.0	Pavement Structure.....	7-3
7.5.0	Granular Base	7-5

TABLE OF CONTENTS

Page

7.6.0	Asphaltic Concrete Pavement.....	7-5
7.6.1	Description	7-5
7.6.2	Minerals.....	7-6
7.6.3	Mix Design	7-7
7.6.4	Final Density Requirements	7-7
7.6.5	Asphalt Thickness Tolerances.....	7-8
7.7.0	Prime Coats and Tack Coats.....	7-8
7.7.1	Description	7-8
7.7.2	Prime Coat (Over Granular Base)	7-8
7.7.3	Tack Coat (Over Asphalt Base).....	7-9
7.8.0	Concrete Flatwork	7-9
7.8.1	Description	7-9
7.8.2	Minerals.....	7-9
7.8.3	Mix Design	7-10
7.8.4	Placing of Concrete	7-10
7.8.5	Concreting in Cold Weather.....	7-11
7.9.0	Testing and Inspection.....	7-11
7.10.0	Traffic Control Devices, Street Name Signs and Pavement Markings	7-11
7.10.1	Materials	7-11
7.10.2	Installation.....	7-12
7.11.0	Street Lighting	7-12
7.11.1	General	7-12
7.11.2	Design.....	7-12
7.11.3	Location.....	7-13
7.11.4	Costs	7-14

SECTION 8: LOT GRADING AND LANDSCAPING..... 8-1

PART I - LOT GRADING..... 8-1

8.1.0	Subdivision Grading.....	8-1
8.1.1	Plans	8-1

TABLE OF CONTENTS

Page

8.1.2	Design.....	8-1
8.2.0	Lot Grading	8-1
8.2.1	Plans	8-1
8.2.2	Retaining Walls	8-2
8.2.3	Design.....	8-2
8.2.4	Surface Drainage	8-3
PART II - LANDSCAPING		8-3
8.3.0	Description	8-3
8.3.1	Scope	8-3
8.3.2	Landscaping Plan	8-4
8.4.0	Landscape Design Requirements.....	8-4
8.4.1	General Requirements	8-4
8.4.2	Residential Boulevards.....	8-5
8.4.3	Collector Roadways	8-5
8.4.4	Major Entrance Routes to the Town.....	8-6
8.4.5	Development Permit Landscaping on Town Lands.....	8-6
8.4.6	Medians and Entry Features	8-7
8.4.7	Walkways	8-8
8.4.8	Pipelines and Major Utility Corridors	8-10
8.4.9	Storm Water Management Facilities	8-10
8.5.0	Site Preparation	8-11
8.5.1	Materials	8-11
8.5.2	Subgrade Preparation	8-11
8.5.3	Existing Utility Appurtenances and Features	8-12
8.6.0	Placing of Topsoil.....	8-12
8.7.0	Seeding	8-13
8.7.1	Seeding - Materials.....	8-13
8.7.2	Seeding - Execution.....	8-13
8.8.0	Sodding.....	8-14
8.8.1	Sodding - Materials	8-14

TABLE OF CONTENTS

Page

8.8.2	Sodding - Execution	8-14
8.8.3	Maintenance	8-15
8.9.0	Planting (Trees and Shrubs)	8-16
8.9.1	Materials	8-16
8.9.2	Site Preparation	8-17
8.9.3	Planting Operations	8-17
8.9.4	Staking and Guying	8-19
8.9.5	Pruning	8-20
8.9.6	Digging of Plants	8-20
8.9.7	Maintenance	8-22
8.9.8	Guarantee Period	8-22
8.10.0	Uniform Fencing	8-22
8.10.1	Maintenance Period	8-23
8.11.0	Turf Irrigation	8-23
8.11.1	General	8-23
8.11.2	Water Service Requirements	8-24
8.11.3	Irrigation System Requirements	8-24
8.11.4	Maintenance and Warranty	8-25
SECTION 9: FRANCHISE UTILITIES		9-1
9.1.0	Gas Service	9-1
9.1.1	General	9-1
9.1.2	Rights-of-Way	9-1
9.1.3	Installation	9-1
9.1.4	Costs	9-1
9.2.0	Telephone Service	9-1
9.2.1	General	9-1
9.2.2	Rights-of-Way	9-2
9.2.3	Installation	9-2
9.2.4	Costs	9-2

TABLE OF CONTENTS

Page

9.3.0	Electric Power Service	9-2
9.3.1	General	9-2
9.3.2	Rights-of-Way	9-2
9.3.3	Installation	9-2
9.3.4	Costs	9-3
9.4.0	Television Cable	9-3
9.4.1	General	9-3
9.4.2	Rights-of-Way	9-3
9.4.3	Installation	9-3
9.4.4	Costs	9-3

LIST OF TABLES

Table 3.1	Maximum Allowable Leakage for P.V.C. Pipe.....	3-6
Table 3.2	National Fire Protection Association.....	3-7
Table 5.1	Recommended Minimum Runoff Coefficients.....	5-12
Table 5.2	Catchbasin Capacities	5-13
Table 5.3	Maximum Combination of Flow Depth and Velocity.....	5-14
Table 7.1	Summary of Recommended Design Standards for Streets	7-15
Table 7.2	Testing Frequency	7-16

LIST OF STANDARD DRAWINGS

Transportation

Building Grade Plan.....	T1
Residential Collector.....	T2
Local Residential	T3
Cul De Sac Bulb.....	T4
Vertical Face Curb and Gutter	T5
Low Profile Rolled Curb and Gutter.....	T6
Vertical Face Monolithic Sidewalk	T7
Low Profile Rolled Monolithic Sidewalk.....	T8
Paraplegic Ramp	T9
Concrete Swales.....	T10

Utilities

Trenching Detail	U1
Standard 1200 mm Manhole.....	U2
Valve Detail	U3
Thrust Block Detail.....	U4
Standard Hydrant	U5
Sanitary Service Connection.....	U6
Water Service Connection	U7

Landscaping

Typical Cedar Fencing.....L1

Chain Link Fence.....L2

1.1.0 DEFINITIONS

In these design standards, unless the context otherwise requires, the following words shall have the meaning hereinafter assigned to them.

- .1 "Applicant" shall mean a person who has applied for approval of a proposed subdivision or to service an existing parcel of land, whether as the owner or an agent for the owner of the land included therein.
- .2 "Town Engineer" or his authorized representative shall mean a Town employee who for the time being is acting for the Town in their respective positions, or any person engaged by the Town to act for the Town.
- .3 "Consulting Engineer" shall mean the Professional Engineer retained by the Applicant to be responsible for the design, and inspection of installation, preparing record drawings and performing those duties in connection with the provision of Municipal Services as set out in these design standards. The Consulting Engineer must be licensed to practice in the Province of Alberta.
- .4 "Contractor" shall mean any person, persons or corporation which shall undertake the installation of Municipal Services on behalf of either the Applicant or the Town.
- .5 "Developer": shall mean the person or entity that has executed a Development Agreement with the Town, in which Agreement the Developer has undertaken to comply with the specified technical standards and requirements of the Town.
- .6 "Developer's Responsibilities": any specification statement referring to acts to be performed or materials to be furnished by the Applicant, Consulting Engineer or Contractor shall be construed to be directed to the Developer, who shall in turn ensure that the acts are performed or materials are furnished by the Applicant, Consulting Engineer or Contractor. The Developer shall be responsible to the Town for compliance with the Design Specifications by his Contractor.
- .7 "Municipal Improvement": is any addition or modification or proposed addition or modification to a service or facility the Town of Claresholm will ultimately be responsible for. These include, but are not necessarily limited to, watermains, sewers, roadways, walkways, park areas, signs, street lights and fencing.
- .8 "Municipal, Municipality or Town" shall refer to the Town of Claresholm.

1.2.0 GENERAL**1.2.1 Development Brief:**

Development of new areas requires the subdivision of land in accordance with procedures and requirements set out in the Planning Act, the Town of Claresholm General Municipal Plan, Land Use Bylaw and the Subdivision and Development Procedures Manual. The Town desires to be kept informed in regard to the proposed development. To this end, the Developer is requested to present the Development Brief to the Town Engineer or delegate at an early stage so that the proposal can be reviewed and commented on prior to giving approval in principle of the subdivision development.

1.2.2 Developer's Engineer:

The Developer shall engage a qualified Professional Engineer to undertake all phases of engineering, including conceptual design, detailed design, general engineering, construction inspection and preparation of record drawings, for the proposed development. Such engineer shall design these services in accordance with accepted engineering practices and to achieve or exceed the minimum standards as set out herein or established by government bodies. All plans and documents shall utilize the Standard Metric System of Units (SI).

1.2.3 Development Proposal:

Prior to any development taking place, the Developer shall submit a development proposal to the Town. The proposal should include all pertinent information as to standards of construction, anticipated types of development, requirements for capacity of water mains, sewer mains, roadways, street patterns, utility easements, storm water management and other significant aspects relating to the proposed development.

The development proposal shall include drawings at a scale of 1:1000 of the proposed development outlining the concept of lots, blocks and street patterns. The following information shall be included within the Development Proposal:

1. Preliminary subdivision plan, complete with boundary of development area outlined;
2. Overall grading plan;
3. Contours of existing land surface relative to geodetic elevation datum;
4. Location and size of water mains;
5. Location and size of sanitary sewer mains, and lift stations if necessary;
6. Location and size of storm sewer mains, storm water management facilities, and lift stations if necessary;
7. Storm water management plan,
8. Shallow utility servicing plan;
9. Road and lane cross-sections, including road widths;
10. Impact of Servicing requirements on existing facilities;

- 11. Preliminary landscaping concept for parks and open space;
- 12. Any other information that the Developer considers necessary to aid the Town in assessing and considering the proposed development.

1.2.4 Overall Layout

.1 Overall Development of the Town:

The proposed development shall be laid out and designed having regard to the overall development of the Town and possible future expansion of abutting areas. Tie-ins of proposed local improvements into existing development shall not create overloads on existing services.

The inclusion of oversize services to provide sufficient capacity for future developments shall be carried out at the expense of the Developer or as specially agreed to in the Development Agreement.

.2 Layout Concepts

The concepts of layout such as size of lots, widths of rights-of-way for traffic and other services, park reserves, densities and zoning, should be approved in principle by the Town prior to submission of detailed plans, in order that any necessary or desirable revisions can be incorporated without requiring major changes.

.3 Right-of-ways and Easements:

Rights-of-way and/or easements shall be provided for all utilities not located on streets, lanes, or utility lots, including rights-of-way for back of lot drainage, ditches or watercourses accommodating surface runoff and shallow utilities.

1.2.5 Municipal Services

.1 Servicing Regulations:

The type and extent of servicing shall be in accordance with the development agreement and the "Approved" plans, specifications and regulations for each municipal improvement.

1.2.6 Existing Improvements

.1 Connections to Existing Town Facilities:

The Developer shall file a request for a connection to existing facilities with the Town at least 7 days prior to starting work on this connection. In the event existing services must be cut off, the Town will notify all affected customers and the proper authorities of this fact. The Town shall notify all emergency services in advance of any service distribution. The developer must have all material, equipment and labour on hand as necessary to complete this connection in the shortest possible time before he will receive approval to make this connection. Depending upon the length of service interruption, the Developer may need to provide temporary services to the affected customers.

.2 Interference with Existing Services:

Any of the services to be installed by the Developer shall be installed in such a manner as to least interfere with existing services.

.3 Temporary Closing of Roads:

In the event that a road must be partially or fully closed for a crossing or connection, the Developer shall develop a traffic accommodation strategy and provide all detours, signs, flagmen, barricades, etc. necessary to provide for the orderly control of traffic around the construction area. The Town must be notified at least 48 hours in advance of any road closures and appropriate permits obtained by the Developer, from the Town Development Officer or delegate. The Town shall notify all emergency services in advance of any road closures.

.4 Road Crossings:

Any existing facilities disturbed during construction shall be returned as a minimum requirement to their original condition. Where it is necessary to excavate an existing road or lane for the purpose of providing an open trench crossing (for a water or sewer main, gas main, telephone cable, etc.) such excavation must be backfilled with suitable approved excavated material or compacted sand and/or gravel material to the satisfaction of the Town Engineer. Compaction shall be minimum 98% Standard Proctor Density. Developer shall be responsible to repair any trench settlements which may occur within two years from accepted completion certificate.

.5 Standards:

The standards outlined herein are intended to be the minimum standards. Where conditions dictate and good engineering practice requires higher standards than those indicated, they shall be incorporated into the design. It shall be the Developer's responsibility to develop the subdivision in accordance with standards which are acceptable to the Town and which conform to good engineering and construction practices. If a relevant government body or approval agency has approved standards which exceed the Town's minimum standards, the higher standards shall prevail. Generally, no departure from these design standards shall be permitted except with the written approval of the Town Engineer.

.6 Materials:

Materials installed within the subdivision shall be tested to confirm compliance with the most recent standard of either AWWA, ASTM, or CSA.

Written proof of CSA approval shall be required for all park and playground equipment.

1.3.0 GENERAL CONDITIONS

1.3.1 Scope

1. These design standards shall apply to the design and installation of Municipal Services within the Town of Claresholm. They apply to the design and installation of storm, sanitary, water and transportation systems, together with their respective connections and appurtenances and any other services which are required to be designed and/or installed.
2. These design standards do not cover the design or installation (other than alignment) of street lighting, ornamental lighting, power, gas, telephone and television services, but do include co-ordination with the various utility companies.
3. The Standard Drawings as referred to in various sections shall form an integral part of these design standards.

1.3.2 Design Standards

- .1 The following design standards shall apply to all or any of the respective services:
 - Section 1: General Conditions and Procedures
 - Section 2: Preparation of Engineering Drawings
 - Section 3: Water Distribution System
 - Section 4: Sanitary Sewerage System
 - Section 5: Storm Drainage System
 - Section 6: Sewer and Water Service Connections
 - Section 7: Roads
 - Section 8: Landscaping
 - Standard Drawings
- .2 All services shall be designed and installed as detailed in the above mentioned design standards and according to the procedure as set out in this section.
- .3 No departure from these design standards shall be permitted except with the written approval of the Town Engineer or delegate. The Town Engineer or delegate may give verbal approval to revisions which he considers to be sufficiently minor. A Change Order shall be issued by the Developer and approved by the Town to record such revisions.
- .4 The performance and responsibilities of all parties and persons carrying out the installation of services shall be as set out in Section 1: General Conditions.

1.4.0 PROCEDURE

1.4.1 Engineering Design

- .1 The Applicant shall retain a Consulting Engineer who shall be responsible for the design and preparation of drawings and specifications for all services (except lighting, telephone natural gas, cable T.V. and power) as required within the Town of Claresholm. These services shall be designed in accordance with the Minimum Design Standards for Development.
- .2 The Design Drawings shall show all existing and proposed services. It shall be the Consulting Engineer's responsibility to co-ordinate with the utility companies to establish the location of their existing and proposed services.

1.4.2 Submission of Engineering Design

- .1 Upon completion of the Design Drawings, the Consulting Engineer shall submit to the Town Engineer, together with two complete sets of plans and specifications for the proposed project, the following:
 - a) calculations of sanitary and storm sewer capacity and pipe loading, where these services are to be installed;
 - b) water distribution analysis as specified in Section 3;
 - c) Storm water management plan;
 - d) a print of the registerable plan of the subdivision (if not already supplied by the Applicant).
- .2 All proposed streets shall be named on the drawings, names to have been assigned and approved by the Town prior to the submission of drawings.
- .3 The Consulting Engineer shall bring to the attention of the Applicant and the Town the need for any rights-of-way outside the subdivision which the Applicant may need to obtain.
- .4 The Consulting Engineer shall bring to the attention of the Applicant and the Town the need for any oil and gas pipeline Crossing Agreements which the applicant may need to obtain.

1.4.3 Preliminary Design Review

- .1 All design drawings and specifications and relevant data shall be reviewed by the Town Engineer. Any revisions requested by the Town Engineer shall be incorporated in the final design drawings.

1.4.4 Final Design Review

- .1 Upon completion of all revisions, the Consulting Engineer shall submit three sets of Contract Drawings to the Town Engineer for review. The Town's review of the Contract Drawings is only for general compliance with the Town's Development standards as detailed in this document. Review certification does not, in any manner, imply approval of the technical aspects of the reviewed design.
- .2 Upon completion of design review, the Town Engineer shall certify the drawings and return one set to the Consulting Engineer.

- .3 No work will be started within any parcel of land or on any of the services to be provided by the Applicant until the Town has certified the Contract Drawings, the subdivision approved and the Development Agreement Executed.

1.4.5 Right-of-Way Documents

- .1 Where easement or right-of-way documents are deemed necessary, they shall be prepared and registered at Land Titles by a registered Land Surveyor at the Applicants expense.

1.4.6 Oil and Gas Pipeline Crossing Agreements

- .1 Where oil and gas pipeline Crossing Agreements are deemed necessary, they shall be obtained from the pipeline owner at the Applicants expense.
- .2 It is the responsibility of the Applicant to complete a title search with the AEUB (Alberta Energy and Utilities Board) to determine the existence of any pipelines in use or abandoned.

1.4.7 Construction Approval

- .1 Upon receipt of Certified Contract Drawings and Specifications, the Applicant may proceed to install Municipal Services subject to:
 - a) Satisfactory execution and registration of Development Agreement or a Development Permit if applicable.
 - b) Subdivision Approval.
 - c) Obtaining appropriate Municipal, Provincial and Federal Permits
- .2 A copy of all approved drawings and specifications shall be maintained at the construction site during the installation of services.
- .3 Underground subdivision services shall not be permitted to operate as part of existing Municipal Services until the respective subdivision services have an approved Construction Completion Certificate by the Developer from the Town.

1.4.8 Engineering Supervision

- .1 The Consulting Engineer shall be responsible for the layout and inspection of installation of all services which are the responsibility of the Applicant. The Consulting Engineer or his authorized representative shall have a presence at all times on site during the installation of services.

- .2 In addition to supervision carried out by the Consulting Engineer, the Director of Infrastructure Services or Town Engineer may periodically inspect the work and assist in coordinating the subdivision works with any related Municipal works. The Town Superintendent or Town Engineer shall bring the use of any unacceptable materials or practices to the attention of the Contractor and/or the Consulting Engineer. If remedial action is not taken to the satisfaction of the Town Engineer, he may order the work to cease.
- .3 If the Consulting Engineer wishes to make any changes in design either before or during the execution of the work, he shall first submit a marked print showing proposed revisions to the Town Engineer. If approval is granted for revision, the original drawing shall be immediately revised and new prints issued. These two operations may be carried out simultaneously.

1.4.9 Survey Control System

- .1 The Developer shall undertake to preserve all existing and new monuments and should it be necessary to destroy a monument, the Developer shall establish a new one in lieu thereof and provide the Town with survey measurements for it to the satisfaction of the Director of Surveys.

Any legal pins disturbed or removed during construction must be replaced prior to Final Acceptance by the Town. The Developer shall supply certificate from a registered legal surveyor that all lot and corner pins are intact.

1.4.10 Testing and Inspections

- .1 It shall be the responsibility of the Consulting Engineer to ensure that the Contractor flushes and pressure tests all watermains and forcemains; disinfects all potable watermains; and flushes and video inspects all storm and sanitary sewers prior to the acceptance by the Town. The Town Engineer or Superintendent shall be advised at least 48 hours prior to any testing and inspections and may witness the test. The results of all tests shall be submitted to the Town for their review.

1.4.11 As-Built Drawings

- .1 Within two months of completion of all services, the Consulting Engineer shall deliver "as-built" drawings to the Town Engineer, 3 sets of hard (paper) copy and AutoCAD digital format with UTM horizontal coordinates and North American 1983 Datum for elevations.

1.4.12 Construction Completion and Final Acceptance Certificates

- .1 Upon satisfactory completion of the project and after all the deficiencies have been corrected, the Town Engineer shall sign the Construction Completion Certificate the Applicant has submitted, notifying:
 - a) Acceptance of the work by the Town;
 - b) Commencement date of maintenance period.

Application for Construction Completion Certificates must be accompanied by the following:

- a) Underground TV camera CD and report of sanitary sewers and storm sewers;
 - b) Water pressure test results;
 - c) Disinfection and bacteriological test results of water system;
 - d) Materials testing results – densities of trench backfill and roadway material, concrete and asphalt.
- .2 The applicant shall be responsible for, at his own expense to remedy any defect, fault of deficiency in the completed works during a twenty-four (24) month warranty and maintenance period. Normally the warranty and maintenance period shall commence from the date of issuance of the Completion Certificate.
 - .3 Upon completion of the warranty and maintenance period and after final inspection and correction of all deficiencies thereof, a Final Acceptance Certificate will be issued and signed by the Consulting Engineer and forwarded to the Town for signature.

1.4.13 Building Permits

- .1 No building permits shall be issued until the subdivision plan is registered, all essential services have been provided, completed and inspected as specified in the Development Agreement or Development Permit, and underground utility services record drawings have been submitted and accepted by the Town. An exception may be considered for the construction of a "show home".

END OF SECTION 1

PART 1 - DESIGN DRAWINGS**1.1.0 SCOPE**

- .1 The following specification shall govern the preparation of Engineering Drawings for all Municipal Services.

1.2.0 DRAWING SIZE, MATERIAL AND BASIC LAYOUT

- .1 The Standard Drawing size of ISO A-1, 594 mm x 841 mm (22" x 34") shall be used.
- .2 Originals shall be prepared in ink on mylar base.
- .3 Use plan profile sheets with profile at bottom of sheet. The plan shall not extend onto the profile section of the drawing. All profiles must be on the profile section of the drawing.

1.3.0 SCALES

Overall plans	1:1000			
Plan/Profile	Horizontal	1:500 m	Vertical	1:50 m

1.4.0 DRAWING TECHNIQUE

- .1 Points of drawing technique that are significant to the preparation of drawings are as follows:
 - a) Letters and figures shall be clearly legible, 2 mm size or larger (Leroy or equivalent).
 - b) Lines shall be uniform in weight and density.
 - c) Dimensions should be given from property line, chainage station, or any other reference that can be readily established. All dimensions shall be in SI System. (Standard Metric System of Units).
 - d) Any computer drafting shall be submitted in AutoCAD format compatible with the Town's current version.

1.5.0 GENERAL REQUIREMENTS FOR ALL SERVICES

- .1 Elevations shall be relative to the Alberta Survey Control system whose elevations are based on 1983 North American Datum. The reference Alberta Survey Control Monument (ASCM) and elevation shall be shown on the design drawing.
- .2 Horizontal coordinates shall be UTM.
- .3 A north arrow, adjacent lots and plan numbers, street names, and the legal description of the parcel being subdivided, shall be shown on the drawings.

1.6.0 OVERALL PLANS

The following overall plans shall form a part of the whole design drawing set.

1.6.1 Cover Sheet

This will show the name of the subdivision, stage and year of development and names of the developer and consulting engineer.

1.6.2 Index Plan

This plan will be prepared on a scale of 1:1000 or a reduction thereof to fit the standard size sheet and will indicate that portion of the street which relates to a particular plan/profile sheet.

1.6.3 Road and Sidewalk Plans

These plans shall be drawn to a scale of 1:1000 and will indicate all locations and widths of roads, sidewalks and walkways, and catch basins.

1.6.4 Lot Grading Plans

An overall plan shall be drawn to a scale of 1:1000 and will indicate the original contours, proposed finished lot corner elevations, proposed grades at building, service connection locations and inverts, and directions of surface drainage flows.

Individual lot grading plans in 210 mm x 280 mm (8½" x 11") format summarizing the above mentioned information plus additional information, is required for each lot prior to issuance of a Building Permit. See Standard Drawing T01 for required format.

1.6.5 Landscaping Plans

These plans shall be drawn to a scale of 1:1000 and shall utilize the Road, Sidewalk and Walkway Plan as a base. This plan shall identify areas to be seeded or sodded, location of and name of all trees and shrubs, location of planting beds, location of pathways, location and layout of irrigation systems, and any park furniture or playground equipment being installed.

1.6.6 Sanitary Sewer, Storm Sewer and Watermain Plans

These plans shall be drawn to a scale of 1:1000 and will indicate the alignments and locations of mains, size of mains, direction of flows, and locations of appurtenances. All manholes, catch basins and fire hydrants shall be numbered to conform to the Town's numbering system.

1.6.7 Storm Water Management Plans

These plans will indicate minor and major catchment areas and flows, locations and design parameters of storm water management facilities, and locations and depths of trapped lows.

1.6.8 Power, Gas, Telephone and Television Cable Plans

These plans shall be drawn to a scale of 1:1000 and will indicate the alignments of power, gas, telephone and television cable.

1.7.0 DETAILED PLAN/PROFILE

.1 Generally all underground services and surface improvement profiles shall be shown on the same drawing. Power, telephone, cable, and gas will not be shown on plan profiles.

.2 The following information shall be included on the detailed plan/profile drawings.

1.7.1 Water

.1 Show the location of hydrants, valves, tees, crosses, and other fittings tied to property lines.

.2 Indicate extent of work required in making connections to existing watermains.

.3 Indicate the size, type, and class of pipe on the plan.

.4 A profile of the watermain shall be required showing invert elevations at all grade changes.

- .5 Fire hydrants to be numbered to conform to Town standards.

1.7.2 Requirements for Sanitary and Storm Sewer

The following information shall be shown on the profile:

- .1 Size, type, and class of pipe.
- .2 Sewer profiles shall be drawn showing length, gradients, and required and provided flows between manholes.
- .3 Invert elevations at both inlet and outlet of manholes.

The following information shall be shown on the plan:

- .4 Tie location of manholes, cleanouts, and other appurtenances to property lines.
- .5 Pipe offsets from property line.

The following additional information shall also be shown on an appropriate part of the drawing:

- .6 Manholes shall be numbered in accordance with Town standards.

1.7.3 Requirements for Roads

- .1 Both plan and profile must be tied to property lines.
- .2 Show the road width and the curb offsets measured from the property line to the lip of gutter.
- .3 Chainages of the BC and EC of horizontal curves shall be shown together with the radius for each curb.
- .4 The percent grade to two decimal places shall be shown on the profile together with the following information on vertical curves.
 - a) The chainage co-ordinate and elevations of BVC, EVC and VPI;
 - b) K value of vertical curve;
 - c) The length of vertical curve;
 - d) The elevation and chainage of the low spot of sag curves, or the high spot of crest curves.
- .5 Road profiles shall show the centreline pavement elevations.

- .6 The profile shall be shown at true centreline length and projected above or below the plan in as close relationship as possible.
- .7 Locate catch basins (using road chainage) and show leads between the catch basin and the mainline manhole.
- .8 Cross section showing pavement structures, road and sidewalk widths, and utility locations.

1.8.0 ADDITIONAL DETAILS

- .1 Provide all additional detail and cross-section drawings as necessary to fully supplement the overall and detailed plan/profile drawings.

PART 2 - AS-BUILT DRAWINGS

2.1.0 SCOPE

- .1 This procedure pertains to the as-built drawings of the following services: storm and sanitary sewers, watermains, roads, curbs, sidewalks, culverts and other miscellaneous permanent structures.

2.1.1 General

- .1 The as-built drawings shall clearly show the location of all mains, services, manhole and appurtenances as installed using offsets from legal property lines.
- .2 On as-built drawings submitted to the Town, the following information shall be included on each drawing:
 - a) Date of completion;
 - b) Name of Contractor;
 - c) Date on which 'as-built' details were added.
- .3 The as-built drawings (mylars and two sets of prints) shall be submitted to the Town within two (2) months of the installations.
- .4 In addition to the preceding mylar originals, the developer shall provide to the Town the CADD files on disk media and to the current AutoCAD Format. UTM 1983 coordinates for horizontal control and NAD 1983 vertical control.
- .5 All dimensioning and data required on design drawings shall be required on as-built drawings.

2.1.2 Building Grade Plans

- .1 Individual lot plans, as shown in Standard Drawing, shall be submitted for each lot. Building grade plan shall be in 210 mm x 280 mm (8½" x 11") format.

END OF SECTION 2

3.1.0 DESIGN REQUIREMENTS

- .1 The minimum size of distribution main shall be 200 mm diameter for single family residential, 200 mm for multifamily development and 250 mm for industrial/commercial. Oversizing may be required as per Town's Master Waterworks Plan.
- .2 P.V.C. Pipe shall be used and the value of "C" in the Hazen - Williams formula shall be 130.
- .3 Per capita consumption shall be:

Average Daily Demand	-	520 L/person/d
Maximum Daily Demand	-	2.6 x Average Demand
Peak Hourly Demand	-	5.2 x Average Demand
- .4 The design population shall be the ultimate for the area under consideration. (See Section 4.1.1 for population densities).
- .5 An analysis shall be made for Peak Hour Demand and mains shall be sized such that there will be a minimum residual pressure of 310 kPa (45 psi) at any location in the system.
- .6 Separate analyses shall be made for Maximum Demand plus Fire Flow. The residual pressure at any location shall not be less than 150 kPa (22 psi).
- .7 Fire Flow requirements shall be in accordance with the most current Fire Underwriter Survey Publication entitled Water Supply for Public Fire Protection – A Guide to Recommended Practice and the Insurer's Advisory Organization Standards. Generally these are:

Single Family Residential	67L/sec (880 igpm)
Multi Family Residential	151L/sec (1200 igpm)
Commercial, Institutional And Industrial	189L/sec (2500 igpm)
- .8 Where the size of the area to be developed warrants, or if required by the Town, a network analysis shall be carried out and all relevant information shall be submitted with the design documents.

3.2.0 WATERMAINS

3.2.1 Watermain – Material

- .1 Pipe for the watermain sized 150mm to 300mm shall conform to the following:
 - a) Polyvinyl Chloride (PVC) Class 1035 (150) DR 18 A.W.W.A., C-900 pressure pipe
- .2 Rubber rings for the couplings shall conform to A.S.T.M. D1869, latest revision thereof.
- .3 Cast iron fittings shall be in accordance with A.W.W.A. Specification C110, latest revision thereof and shall be cathodically protected. Cast iron tees, elbows and crosses will only be allowed if the fitting is not readily available in moulded P.V.C.
- .4 Polyvinyl Chloride (PVC) moulded fittings to CSA B137.2 (class 150).

3.2.2 Watermain - Location

- .1 Mains shall be installed to provide a minimum cover of 2.5 m to top of pipe from final finished surface grade.
- .2 Mains shall be located within the road right-of-way in accordance with the Roadway Cross Section Std. Dwg. No.'s T2 to T4.
- .3 A minimum of 3.0 m separation shall be maintained between a watermain and any sewermain.
- .4 The minimum requirement for pipe bedding shall be Class "B" bedding (Std. Dwg. No. U1).

3.3.0 HYDRANTS

3.3.1 Hydrant - Material

- .1 Hydrants shall be either TC-C71P or MacAvity M-67.
- .2 Hydrants shall conform to A.W.W.A. Specification C502, latest revision thereof, and shall include the following supplementary requirements:
 - a) four-section breakaway flange
 - b) Stainless steel trim (nuts and bolts)
 - c) compression type shut off
 - d) designed for working pressure of 1035 kPa

- e) two 63 mm hose nozzles with Alberta Mutual Aid Thread
- f) one pumper port (114mm I.D.) with 4.8125 TPI
- g) Pentagon operating nut shall be 23mm
- h) self draining hydrants
- i) a gravel drainage pit (min 0.5 m³) shall be provided at the bottom of the hydrant
- j) gate valve shall be provided on each hydrant lead
- k) all hydrants shall be painted bright lime (CIL# 2331-3486).
- l) tops and nozzle caps painted in accordance with the NFPA colour coding system as outlined in Table 3.2
- m) 150 mm diameter riser barrel with a 125 mm bottom valve

3.3.2 Hydrant - Location and Installation

- .1 Hydrants should be located on the side of the street closest to the watermain to minimize the length of hydrant lead.
- .2 The maximum allowable spacing between fire hydrants will be 90m in commercial, industrial, institutional and multi-family areas; and 180 m in single family residential areas. Fire hydrant locations should be coordinated with the Town and Fire Department.
- .3 Hydrants on the distribution mains shall be installed:
 - a) At the projection of lot lines except:
 - b) Where the hydrants are installed at the intersections, they shall be installed at the beginning of curb returns
- .4 Hydrants shall be located 0.30m onto road right of way from property line.
- .5 Additional hydrants shall be installed at high value properties if deemed necessary by the Town.
- .6 All hydrants shall be on a minimum of 150 mm feeder line. Such feeder line shall be a maximum length of 10 metres from the main, otherwise a larger diameter line shall be considered.
- .7 Hydrants shall be installed in accordance with Standard Drawing Number U5 with the following requirements:
 - a) Dirt flange to be no less than 50 mm and no more than 200 mm above final grade.
 - b) Minimum 0.5 m³ washed gravel drainage sump adjacent to hydrant base. Top of sump to be 150 mm above hydrant drain holes and covered with 2 mm polyethylene sheet to prevent intrusion of clay or silt into the gravel.
 - c) Cathodically protect with a 5.4 kg zinc anode.

- d) Paint top and nozzle caps in accordance with NFPA colour coding as outlined in Table 3.2 except lime green body.
- e) Paint hydrant number in 50 mm high block lettering.

3.4.0 VALVES

3.4.1 Valve - Materials

- .1 Gate valves shall conform to A.W.W.A. Specification C509, latest revision thereof, and shall include the following supplementary requirements:
 - a) Iron body.
 - b) Bronze mounted.
 - c) Operating pressure shall be 1,065 kPa.
 - d) 51 mm square operating nut.
 - e) Type 304 stainless steel stem for valves 250 mm and larger. 150 mm and 200 mm valves may be supplied with either bronze or type 304 stainless steel stems.
 - f) "O" - ring stem seal.
 - g) To open by turning counter clockwise direction.
 - h) Non-rising stem.
 - i) Double-disc or solid wedge type.
 - j) Resilient Seated
 - k) External epoxy coating
 - l) Stainless steel trim (nuts and bolts)

3.4.2 Valve Boxes

- .1 Valve boxes shall be a two section, bituminous coated, Type A, cast iron adjustable type complete with a cast iron lid. An internal operating rod is also required.
- .2 Valve boxes shall be of sufficient length to provide for adjustments of 300 mm in up or down direction.
- .3 Valve box extensions shall be cast iron suitable for use with the valve boxes to be installed.

3.4.3 Valve - Location

- .1 Valves on the distribution mains shall be installed:
 - a) At the projection of property lines at mid-block.
 - b) At the projection of property lines at intersections.

- .2 Distribution main valves shall be located such that during a shutdown:
 - a) No more than one hydrant is taken out of service.
 - b) No more than four valves are required to effect a shutdown.
 - c) No more than one standard Town block is taken out of service by a shutdown.
- .3 Valves shall be installed in accordance with Std. Dwg. No. U3. Valves shall be cathodically protected with a 2.3kg zinc anode.

3.5.0 TRENCHING AND BACKFILLING

- .1 Trenching and Backfilling shall be done in accordance with Occupational Health and Safety Guidelines.
- .2 Minimum trench width - outside diameter of pipe plus 450 mm.
- .3 Type B bedding as per Standard Drawing No. U1.
- .4 Backfilling shall be carried out with selected native material in 300 mm layers to a minimum of 98% Standard Proctor Density at optimum moisture content.

3.6.0 THRUST BLOCKS

- .1 Thrust blocks shall be provided as per Std. Dwg. No. U4.

3.7.0 DISINFECTION

- .1 All the watermains shall be disinfected by qualified personnel in accordance with A.W.W.A. Specification C651, latest revision thereof.
- .2 The Town shall be notified at least 24 hours prior to testing so they may witness the residual chlorine test and the sampling for the bacteriological test.
- .3 Minimum residual chlorine after 24 hours shall be 10 mg/L for the Continuous Feed Method
- .4 The line shall be flushed and the chlorine residual of the water being disposed neutralized prior to discharge.
- .5 The bacteria test results must be reviewed and approved by the Town prior to the waterline being placed into service.

3.7.1 Testing

- .1 The Developer shall employ a CSA approved material testing firm to complete the tests as outlined in Table 7.2. One copy of the results shall be submitted to the Town for their review.
- .2 All watermains shall be tested in accordance with A.W.W.A. C603, latest revision thereof. Hydrostatic test pressure shall be 1035 kPa (150 psi) or 1.5 times the normal operating pressure based upon the elevation of the lowest point in the main and corrected to elevation of the test gauge, for a period of two hours. For P.V.C. pipe, the overall leakage for the section of line tested shall not exceed the rate of leakage specified in Table 3.1.

TABLE 3.1 Maximum Allowable Leakage (L/100 Joints/Hour) For P.V.C. Pipe

	Test Pressure								
	345	515	690	860	1035	1380	1550	1724	Kpa
Pipe Dia.	50	75	100	125	150	200	225	250	psi
100 mm (4")	1.46	1.77	2.00	2.28	2.46	2.90	3.07	3.28	
150 mm (6")	2.17	2.65	3.07	3.43	3.76	4.34	4.60	4.82	
200 mm (8")	2.90	3.54	4.09	4.57	5.02	5.79	6.14	6.46	
250 mm (10")	3.62	4.42	5.12	5.71	6.27	7.34	7.67	8.10	
300 mm (12")	4.34	5.30	6.14	6.86	7.52	8.69	9.20	9.7	
350 mm (14")	5.07	6.19	7.16	8.00	8.77	10.13	10.74		
400 mm (16")	5.79	7.07	8.19	9.14	10.03	11.58	12.27		
450 mm (18")	6.51	7.96	9.21	10.28	11.28	13.03	13.80		

**Table 3.2 National Fire Protection
Association
Recommended Practice for Colour Coding Hydrants**

- Barrel - Chrome Yellow

- Tops and Nozzle Caps
 - Class AA - Flow > 90 l/s - Light Blue
 - Class A - 60 l/s < Flow < 90 l/ - Green
 - Class B - 30 l/s < Flow < 60 l/s- Orange
 - Class C - Flow < 30 l/s - Red

END OF SECTION 3

4.1.0 DESIGN FACTORS

.1 The sanitary sewerage system shall be of sufficient capacity to carry peak flows plus infiltration. The following factors shall be used in design of sanitary sewerage systems:

a) Residential

Population Density	-	Single Family	R1 - 30 people/hectare
(based upon zoning)	-	Multi Family	R2 - 45 people/hectare

Average Sewage Flow	-	400 L/person/d
Peaking Factor	-	$1 + \frac{14}{4 + (p)^{1/2}}$
(Harmon's Formula)		

Where p equals the tributary population in 1,000's

Inflow	-	500 L/capita/d (new developments)
		2000 L/capita/d (old developments)
Infiltration	-	150 L/capita/d

b) Commercial, Industrial and Institutional:

Average Sewage Flow-		Commercial: 20,000 L/ha/d
		Industrial: 30,000 L/ha/d
		Institutional: 20,000 L/ha/d
Peak Factor	-	$6.659(Q_{AVERAGE}^{-0.168})$
(Maximum of 5)		$Q_{AVERAGE}$ in L/s
Inflow	-	7.5 m ³ /ha/d
Infiltration	-	2.25 m ³ /ha/d

- .2 Minimum Velocity - 0.61 m/s
At Average Flow
- .3 Pipe sizing shall be determined by utilizing the Manning's Formula using "n" value of 0.013.
- .4 Minimum pipe slopes shall be as recommended by Alberta Environment.
- .5 Sanitary sewers may need to be oversized to conform to the Town's Master Sanitary Sewer Plan.

4.2.0 SANITARY SEWERMAINS - MATERIALS**.1 Sewermains**

- a) The minimum size for sanitary sewer mains shall be 200 mm diameter for residential and 250 mm for industrial/commercial areas.

Material Class

- b) All sanitary sewer pipe and fittings shall be PVC to A.S.T.M. D3034 - minimum Class DR35

.2 Manholes - Materials

- a) Manhole section shall be precast reinforced concrete sections conforming to A.S.T.M. C478, latest revision thereof.
- b) All manholes shall be 1200 mm inside diameter for all pipe 900 mm diameter and less. For pipe exceeding 900 mm diameter, manhole diameter shall be pipe diameter plus 600 mm.
- c) Manhole frames and covers shall be cast iron conforming to Class 20 A.S.T.M. A48, latest revision thereof.
- d) Manhole steps shall be standard safety type, of hot dipped galvanized iron or epoxy coated extruded aluminum.
- e) Manhole bases shall be precast slabs, concrete poured bases, vaults or precast tees.
- f) Refer to Std. Dwg. No. U2.

.3 Concrete for Manholes and Appurtenances

Cement – 30 MPa sulphate resistant cement (Type 50)
Maximum Slump - 75 mm

.4 Watertight Manhole Inserts

- a) When manhole covers are subject to surface water flowing into the manhole watertight manhole inserts shall be provided.
- b) Watertight manhole inserts shall be stainless steel “Rainstopper” manufactured by Southwestern Packing & Seals Inc. of Shreveport, Louisiana, or Approved Equal.

4.3.0 SEWERMAIN INSTALLATION AND LOCATION

- .1 Mains shall be installed to provide a minimum depth of 2.4 m to obvert below final finished grade at the surface or shall be insulated to the satisfaction of the Town Engineer.
- .2 Mains shall be installed to provide adequate sewer service connection depth at the property line.
- .3 Mains shall be located within the road right-of-way in accordance with the Roadway Cross Section Std. Dwg. No.'s T2 to T3.
- .4 Pipe bedding shall be provided for all mains in accordance with Std. Dwg. No. U1.

4.4.0 MANHOLE INSTALLATION AND LOCATION

- .1 Manholes shall be located at the end of each line, at all changes in pipe size, grade and alignment.
- .2 The maximum distance between manholes shall not exceed 120 m.
- .3 Benching in manholes shall be provided to minimize hydraulic losses. The downstream invert in a manhole shall be a minimum of 20 mm lower than the lowest upstream invert. At a change in direction, the drop shall be at least 50 mm.
- .4 Manholes shall be installed as shown on Standard Drawing U2.
- .5 All joints shall be watertight.
- .6 Compact backfill around manholes with mechanical tampers to at least 98% of the Standard Proctor Density.

4.5.0 CURVED SEWERS

- .1 Curved sewers will be permitted with the following restrictions:
 - a) The sewer shall be laid as a simple curve with a radius equal to or greater than 60 m or the manufacturers minimum recommended radius, whichever is larger.
 - b) Manholes shall be located at the beginning and end of the curve.
 - c) Manholes shall be located at intervals not greater than 90 m along the curve.

- d) The main shall run parallel to the curb or street centreline.
- e) The minimum grade for sewers on curve shall be 50% greater than the minimum grade required for straight runs of sewers.

4.6.0 TRENCHING AND BACKFILLING

- .1 Trenching and backfilling to be carried out in accordance with Occupational Health and Safety Guidelines.
- .2 Minimum width - single pipe

<u>Pipe Diameter</u>	<u>Minimum Trench Width</u>
Less than 750 mm diameter	=O.D. + 450 mm
750 mm diameter or larger	= O.D. + 600 mm
- .3 Backfilling shall be carried out with selected native material in 300 mm layers to a minimum of 98% Standard Proctor Density.

4.7.0 INSPECTION AND TESTING

- .1 The Developer shall employ a CSA approved material testing firm to complete the tests as outlined in Table 7.2. One copy of the results shall be submitted to the Town for their review.
- .2 Prior to initial and final acceptance of the project, all sewer mains shall be tested as follows:
 - a) Leakage Test:

The Town may require each section of sewer main and service connections to be tested for watertightness by an exfiltration test and/or infiltration test.

Infiltration or exfiltration for PVC pipes shall not exceed 4.6 litres per mm diameter of pipe per km length per day.
 - b) Light Test:

Each section of sewer shall be subjected to a light test where a light is shone into the pipe at one manhole and the light itself is visible at the other end. If a light test is unsuccessful, then the section shall be subjected to a "pill test" where a ball or similar object, of a diameter 50 mm less than the diameter of the pipe shall be successfully pulled through encountering no obstructions.

c) Closed Circuit Television Inspection

All sections of sanitary sewers shall be flushed and inspected with closed circuit television camera equipment. A written report and a video tape in DVD format shall be submitted to the Town for their approval and records.

A random number of residential house services to be checked with camera. If problems are discovered, all services may be required to be televised.

4.8.0 WASTEWATER PUMP STATIONS

- .1 All pump stations shall be designed and constructed in accordance with all Federal, Provincial and Local Codes and Regulatory requirements. The Contractor shall obtain all necessary permits required for this work.
- .2 Pump station structures and equipment to be fully protected from any damage by a 100 year storm event. Pump station to remain operational and accessible during a minimum 25 year flood.
- .3 Applicant shall verify all pump station requirements with Town prior to commencing design and construction.

END OF SECTION 4

5.1.0 DESIGN FACTORS

- .1 The storm sewers shall be designed as a separate system and shall be of sufficient capacity to carry storm sewer runoff from the ultimate development the area is zoned for. The storm sewer should be designed considering both the minor and major drainage systems.
- .2 The minor system comprises piping, manholes, catch basins and outfall structures. The minor system shall convey runoff from snowmelt and rainfall events to an adequate receiving water (river, stream, lake or pond) without sustaining any surface ponding or excessive surface flows for events up to and including a 1 in 5-year return period. Where required by the Town Engineer, high value commercial areas shall have their minor systems designed to accommodate the 1 in 10-year return period event.
- .3 The major system comprises the street system, detention facilities, parkland and any other land required to convey runoff from events up to and including a 1 in 100-year return period to the receiving water. The major system shall be evaluated in a manner sufficient to determine that no flooding that may cause significant property damage (e.g. flooding of buildings) occurs during the 100 year event.
- .4 Ponding and overland flow shall be contained within public property once collected.
- .5 Allowable peak post-development release rates shall not exceed pre-development flows resulting from a 1 in 5 year storm event. This allowable release rate shall not be maintained for all storms up to a 1 in 100 year event.
- .6 Alberta Environment and Parks best management practices for storm water systems shall be incorporated into all new developments.
- .7 In accordance with the Alberta Environment *Municipal Policies and Procedures Manual* storm water quality improvements shall provide for “a minimum of 85% removal of sediments of particles size 75 microns or greater.”
- .8 A Low Impact Development approach is encouraged. Low Impact Development best management practices, such as constructed wetlands, bioswales and rain gardens shall be utilized whenever feasible.
- .9 Effluent from sanitary sewers and any drainage from industrial, agricultural or commercial operations that may potentially be contaminated shall not be discharged to the storm sewers. Roof leaders of residential buildings shall be splashed on the surface and shall not be connected to the storm sewer system.

- .10 Roof drainage from one-family and two-family dwellings shall discharge to grassed or pervious areas. Downspouts shall discharge to a splash pad or other impervious surface. The point of discharge shall be a sufficient distance (i.e. at least 1.0 m) to ensure the water flows away from the building. Roof drainage from apartment buildings, commercial areas, and industrial areas should discharge directly to the storm sewer if possible. Lot grading shall not direct drainage across adjacent property lines.
- .11 Properties zoned for non-residential land use or for medium and high density multi-family residential shall retain runoff volumes in excess of the 1 in 5 year return period and up to a 1 in 100 year return period on-site, unless approved otherwise by the Town Engineer. Excess runoff control may take the form of parking lot, rooftop, or underground storage, rain gardens, bioswales, or wet/dry ponds. Runoff control designs must be approved by the Town Engineer or delegate.
- .12 Control shall be provided to minimize sediment discharge to the storm sewers. This shall be in the form of properly graded and surfaced streets and lanes, landscaping, sediment control structures at pond and lake inlets, or other means where appropriate.
- .13 The bottom of all exterior foundation walls shall be drained in accordance with relevant Building and Plumbing Codes. All developments shall provide sump pumps to discharge weeping tile water to the surface.
- .14 The following criteria shall be used in the design of the minor storm sewer system:
- a) For areas less than 65 ha the Rational Method of storm sewer system
i.e. $Q = 2.78 CIA$
Where Q = the design peak flow rate in litres per second
 I = the intensity of rainfall in millimetres per hour corresponding to the time of concentration
 A = the contributing area in hectares
 C = the runoff coefficient
 - b) Rainfall intensity shall be in accordance with Environment Canada Intensity-Duration-Frequency (IDF) statistics for Lethbridge.
 - c) Runoff coefficients shall be according to Table 5.1.
 - d) The weighted average of pervious, semi-pervious and impervious area runoff coefficients shall be estimated from the following equation:

$$C = \frac{C_p A_p + C_s A_s + C_i A_i}{A_p + A_s + A_i}$$

Where the subscripts p, s and i indicate the pervious and impervious surfaces, respectively. In these standards $C_p = 0.1$, $C_s = 0.5$ and $C_i = 0.90$.

- e) The duration of rainfall used to determine the intensity is equal to the time of concentration. The time of concentration is comprised of the overland time to the storm sewer inlet and the time of travel in the conduit. The overland flow time to curbside in residential and commercial areas shall not exceed 10 minutes in duration (specific overland flow times shall be computed separately for industrial and undeveloped areas). Gutter flow time shall not exceed 5 minutes and shall be estimated based on methods outlined in "Modern Sewer Design" (AIS, 1980). The time of travel in the conduit shall be based on the pipe flow velocity.

.15 For areas greater than 65 ha:

- a) Computer models shall be used to determine design flows and the sizing of systems which contain non-pipe stormwater management facilities (e.g. detention ponds) or systems that include a significant amount of undeveloped land.
- b) The selection of an appropriate computer model shall be based on an understanding of the principles, assumptions, and limitations in relation to the system being designed. Acceptable computer models software shall be approved by the Town.
- c) Wherever possible, the computer model shall be calibrated. In all analyses, the parameters used, the drainage boundaries, the pipe network and its connectivity shall be clearly identified on an overall drawing, computer printouts and a design summary report.
- d) The design storm hyetograph shall be derived from the Chicago method to generate a synthetic design storm using a time to peak ratio of 0.30. Environment Canada Intensity-Duration-Frequency (IDF) statistics for Lethbridge shall be utilized for the following design storms:
- One in 5 year 4 hour duration storm
 - One in 100 year 24 hour duration storm

.16 The minimum storm sewer flow velocity shall be 0.60m/s when flowing full. Where velocities in excess of 3 m/s are attained, special provisions shall be

made to protect against displacement by erosion or impact.

- .17 Pipe sizing shall be determined by utilizing the Manning's Formula, using "n" value of 0.013.
- .18 Storm sewer pipe shall be designed to convey the design flow when flowing full with the hydraulic gradeline at the pipe crown. All pipe crown elevations shall match at manhole junctions.
- .19 Surface water shall not be permitted to run a distance greater than 300 m along local roadways without provision for interception by the first catch basin. Within the piped drainage system, or on Collectors or Arterial roadways, surface runoff shall not run a distance greater than 120 m without interception.
- .20 Surface water shall be intercepted with a sufficient number of catch basins such that the inlet capacity is sufficient to receive the design stormwater flow. Catch basin capacity shall be considered as shown on Table 5.2 where values are given for sag conditions and on slope conditions based upon inlet grate type.
- .21 Minimum gutter grade shall be 0.50%.

5.2.0 STORM SEWERMAINS - MATERIALS

- .1 Sewermains
 - a) The minimum size of storm sewer mains shall be 300 mm diameter.
 - b) Pipe for storm sewer main may be:
 - Reinforced sulphate resistant concrete pipe to ASTM C76
 - PVC pipe conforming to ASTM F794 minimum Class DR35
 - Ultra Rib PVC pipe to ASTM D3034 minimum Class DR35
 - c) Pipe joints shall be rubber ring conforming to CSA A257.3 and/or ASTM C443 for concrete and ASTM 03212 for PVC Pipe.
 - d) Pipe classes shall be determined to withstand subsequent superimposed loadings.
 - e) Various factors affecting the pipe class shall be taken into account, and pipe class shall be evaluated as per standard engineering practice.
- .2 Manholes
 - a) Refer to Section 4.2.0.2 (Sanitary Sewer) and Std. Dwg. No.'s U1 to U2.

- b) Safety platforms at intermediate levels are required for manholes greater than 5.0 m in depth.

.3 Catchbasins

- a) Catchbasin barrels with precast base and precast slab top shall be:
 - i) 900 I.D. pipe barrel conforming to A.S.T.M. C478 (Std. Dwg. No. U4)
 - ii) Catchbasin manholes shall be in accordance with Std. Dwg. No. U2.
 - iii) Catchbasin manholes shall be used in place of a catchbasin when the lead exceeds 30 m in length.
 - iv) Catchbasins are to have 500 mm deep sumps.
- b) Catchbasin frames and covers shall be type “K” as supplied by Sovereign Casting Ltd.
- c) Catchbasin leads:
 - i) Shall be non-reinforced concrete pipe A.S.T.M. C14 - Class 3 or approved PVC pipe.
 - ii) The minimum size of catchbasin lead shall be 250 mm diameter with a minimum grade of 0.5%.
 - iii) The minimum grade on a 300 mm catchbasin lead shall be 0.3%.
 - iv) Two catchbasins may be connected in series. The catchbasin lead connecting to the storm sewer manhole shall be 300 mm at a minimum slope of 0.3%.
 - v) The maximum length of a catchbasin lead shall be 30 m.
 - vi) If a lead of over 30 m in length is required, a catchbasin manhole shall be installed at the upper end.
 - vii) Where possible catchbasin leads shall have minimum cover of 0.9 m to top of pipe.

d) Catchbasin capacity:	
i) Type ‘K’ catchbasin with storm back (F51)	0.10 m ³ /s
ii) Type “K2” catchbasin for rolled curb and gutter (F38)	0.05 m ³ /s
iii) Type “K3” catchbasin (F35)	0.04 m ³ /s
iv) Grated top manhole (F39)	0.05 m ³ /s

5.3.0 STORM SEWER INSTALLATION AND LOCATION

- .1 Where possible mains shall be installed to provide a minimum depth to pipe obvert of 1.2 m below final finished grade.
- .2 Mains shall be located within the road right-of-way in accordance with the Roadway Cross Sections Std. Dwg. No.'s T2 and T3.
- .3 Pipe bedding shall be provided for all mains in accordance with Std. Dwg. No. U1, or as determined to meet requirements of reinforced concrete pipe class.

5.4.0 MANHOLE INSTALLATION AND LOCATION

- .1 Refer to Section 4.4.0 (Sanitary Sewer).
- .2 Manhole spacing shall not exceed 120 m for storm sewers sized 375 mm or less; and 150m for storm sewers sized 450 mm to 750 mm.
- .3 Benching in manholes shall be provided to minimize hydraulic losses. The downstream invert in a manhole shall be a minimum of 20 mm lower than the lowest upstream invert. At a change in direction, the drop shall be at least 50 mm. If an influent pipe diameter is greater than 525 mm and the bend is greater than 45^o or if the outflow pipe velocity exceeds 1.5 m/s, then minor losses shall be considered (see AISI, 1980).
- .4 Tee riser manholes may be utilized on lines 1200 mm diameter and larger. Tee riser manholes must be bedded in concrete to the springline of the pipe.

5.5.0 CURVED SEWERS

Refer to Section 4.5.0 (Sanitary Sewer).

5.6.0 TRENCHING AND BACKFILLING

Refer to Section 4.6.0 (Sanitary Sewer).

5.7.0 INSPECTION AND TESTING

Refer to Section 4.7.0 (Sanitary Sewer).

5.8.0 DETENTION FACILITIES

- .1 Detention facilities shall be designed as part of both the minor and major drainage systems. They must control the peak runoff conditions for events up to the 100 year return period.
- .2 Detention facilities and the entire area that would be submerged by the 100 year event shall be contained on Town property. The need for a specific detention facility shall require the approval of the Town Engineer. In assessing the need for specific detention facilities, the applicant must consider the impacts of uncontrolled drainage as well as the capital and operating costs of providing control.
- .3 Soils investigation specific to the detention facility shall be undertaken to determine appropriate design factors. Where the facility is sited above a shallow aquifer the potential for groundwater contamination must be minimized.
- .4 Wet pond detention facilities shall be constructed in impervious soils to minimize water losses during dry weather periods. Intruding silt or sand seams shall be sealed off.
- .5 Where a detention facility is to have multiple functions, its design shall consider the aesthetic implications of shape, grading and landscape features.
- .6 An emergency overflow system shall drain to a receiving stream, if possible, for storms greater than the 100 year event.

- .7 The effects of the maximum pond water levels shall be considered in the design of the minor system and lot grading. The hydraulic gradeline elevations for the minor system piping shall be calculated starting from the maximum pond level during the 5 year storm event.
- .8 The maximum water level fluctuation for detention ponds in residential areas during the 100 year storm event shall be 1.5 m. The pond's outlet capacity shall be that the pond shall drain and reach normal water level within 24 to 72 hours of reaching maximum water level during the 100 year event. All inhabited building space, including basements, shall be constructed above the 100 year flood level.
- .9 An overflow channel and overland drainage route must be provided to the satisfaction of the Town.
- .10 The design of the storm water management facility and permitted water level fluctuations must ensure that:
 - a) The lowest basement weeping tile of any building on a lot adjacent to the lake shall be a minimum of 300 mm above the 1:100 year high water level.
 - b) The lowest manhole invert shall be at or above the normal water level elevation.
 - c) The pipe obvert at the lowest manhole immediately upstream of the pond shall be above the high water level during a one in five year storm event.
 - d) A minimum horizontal distance of six metres shall be maintained from any basement wall to the 1 in 100 year high water level.
 - e) The inlet to the pond must be above the normal water level or below ice level.
 - f) The minimum surface area of wet ponds at normal water level shall be 2 hectares.
 - g) The depth of the wet pond, at normal water level, will be 2 to 3 metres.
 - h) The lake bottom and side slopes will be composed of an impervious material.
 - i) No dead bay areas will be permitted.
 - j) Shoreline improvements and erosion protection will be subject to review and approval by the Director of Infrastructure, or delegate.
 - k) Any property situated below the 1:100 year high water level shall become the property of the Town.
 - l) The design will incorporate a semi-annual turnover at average annual precipitation.

- m) Submerged inlets/outlets are preferred and will be constructed such that the tops are a minimum of 0.6 m below normal water level.
 - n) Inlets/outlets not submerged will require fencing along adjacent shoreline for 5.0 m in each direction from the centre line of pipe. All inlets/outlets will be provided with a grate permanently fixed to the structure.
 - o) Every pond will be sterilized during construction to prevent weed growth.
 - p) A silt trap will be provided at the inlet of each pond.
- .11 In design, dry ponds shall:
- a) not exceed 1.5 m depth of water for the 1 in 100 year event,
 - b) have flow bypass for flows from minor events,
 - c) have a bottom with a minimum longitudinal slope of 0.7%,
 - d) have a bottom with a minimum lateral slope of 1.0%,
 - e) have a French drain where longitudinal slopes are less than 1.5%,
 - f) have side slopes flatter than 5 (horizontal) to 1 (vertical),
 - g) have length, width and depth dimensions that are acceptable to the Town Engineer,
 - h) have the bottom and sides sodded or grassed as per Section 8,
 - i) have trash bars on inlets and outlets to preclude access by children,
 - j) address all safety issues (particularly during operation), and
- .12 Underground storage tanks shall be considered only if no other economical alternative means of storage is feasible.
- .13 Parking lot and rooftop storage shall be considered only for developments where the facilities are part of the project and must be approved by the Town. Proposals which rely on third party implementation will not be accepted.
- .14 Infiltration and evaporation facilities require studies which involve site specific measurements of infiltration, knowledge of the groundwater regime, and an evaluation of the water balance for the system.

5.9.0 OUTFALLS

- .1 Outfall structure shall be placed at the end of all storm sewers discharging to an open channel, watercourse, river or other receiving water body such as a lake. The purpose of the structure is to reduce velocities and prevent erosion. All outfall structures must receive approval of all regulatory agencies having jurisdiction. It is the responsibility of the Developer to obtain the necessary approvals and permits from the above mentioned Authorities.

- .2 The outfall structure may be a chute, spillway, stilling basin or plunge pool with headwall. A cut off wall is required at the end of the outfall apron to prevent undermining of the structure.
- .3 Obverts of outfall pipes shall be at least 150 mm above the 5 year flood level in the receiving stream. Inverts of outfall pipes shall be above winter ice level. Otherwise, outfall pipes shall be submerged below the bottom of ice level. In addition, outfalls shall be located to avoid damage from moving ice during break- up.
- .4 If the downstream channel is relatively flat, the apron shall be 150 mm to 225 mm above the channel invert to prevent collection of debris on the apron.
- .5 Rip rap and a filter layer shall be placed downstream of the outfall structure where required to prevent erosion.
- .6 Weeping tile shall be placed under the structure to reduce any water pressure behind the headwall.
- .7 Grills shall be placed over all storm sewer outlets to prevent access.
- .8 Railings shall be placed along the headwall and wingwalls of the outfall structure.
- .9 Outfalls shall be landscaped to blend in with surrounding areas.

5.10.0 RECEIVING WATERS

- .1 Measures shall be incorporated in new developments to prevent any increase in the amount of downstream erosion.
- .2 If a development will cause downstream erosion despite the use of on-site peak run-off rate controls, appropriate measures shall be constructed in the downstream areas.
- .3 Preservation of watercourse aesthetics and wildlife habitat shall be considered in erosion and bank stability work.

5.11.0 CULVERTS AND BRIDGES

Culverts and bridge design should consider backwater effects over a range of flows. The design of a hydraulic structure requires assessment of both its nominal design "capacity" and its performance during the 100 year event.

5.12.0 SURFACE DRAINAGE SWALES

Drainage swales, whether on municipal or private property (through drainage easements), shall be constructed completely prior to any development of subdivision lots. Drainage swales running between adjacent private lots shall be constructed of concrete to ensure lots are graded to the correct elevation.

Design and construction shall be of an acceptable quality to Town requirements. A detailed design shall be submitted to the Town including a brief explaining:

- a) materials to be used
- b) design calculations
- c) explanation of design features which eliminate or minimize the possibility of damage to the drainage swale by activities within the subdivision.

5.13.0 MAJOR DRAINAGE SYSTEM ANALYSIS

- .1 The major drainage system shall be assessed with respect to the 1 in 100 year return period event.
- .2 The grading of streets and the layout of the major drainage system shall be assessed, relative to the following guidelines, during the 100 year event:
 - a) No building shall be inundated at its ground line.
 - b) Continuity of the overland flow routes between adjacent developments shall be maintained.
 - c) Arterials should have at least two lanes which are not inundated parallel with the direction of flow. Where the major system crosses an arterial, the depth of flow should be less than 0.10 m.
 - d) Collectors should have at least one lane which is not inundated parallel with the direction of flow. Where the major system crosses a collector; this depth of flow should be less than 0.15 m.
 - e) Local roads should have a depth of water no more than 0.10 m above the crown. Where the major system crosses a local road, the depth of flow should be less than 0.20 m.
 - f) The depth of water at curbside should be less than 0.30 m for all roadways.

- g) The velocities and depths of flow in the major drainage system shall not exceed the values outlined in Table 5.3

- .3 The grading of lots shall meet the following requirements:
 - .1 The minimum slope in the back and front yards shall be 2%.
 - .2 If the back yard area slopes toward the house, provision must be made to keep the runoff at least 2 m from the house and direct it to the street.
 - .3 Reverse driveways shall not be permitted unless the runoff can be directed away from the structure and off the property in a controlled fashion.
 - .4 Lot grading must not direct drainage onto adjacent lots.

TABLE 5.1

**RECOMMENDED MINIMUM RUNOFF
COEFFICIENTS**

Land Use or Surface Characteristics	Rainfall Event Return Period		
	5 Year	10 Year	100 Year
Residential	0.40	0.40	0.60
Apartments ²	0.70	0.70	0.80
Downtown Commercial ²	0.85	0.85	0.90
Neighbourhood Commercial ²	0.65	0.65	0.80
Light Industrial ³	0.60	0.65	0.70
Lawns, Parks, Playgrounds	0.20	0.20	0.30
Undeveloped Land (Farmland)	0.10	0.15	0.20
Paved Streets	0.90	0.90	0.95
Gravel Streets	0.30	0.35	0.65

Notes:

1. Values are recommended minimum for use in the Rational Method.
2. Where specific land surfaces are known for Apartment and Commercial areas, the runoff coefficient may be determined based on the surface characteristics for the ultimate development conditions.
3. Runoff coefficients for industrial land use must be estimated based on ultimate land use condition.

TABLE 5.2

CATCHBASIN CAPACITIES (L/s)

Catch Basin	Flow Condition	
	Continuous Slope	Sag Condition
F35A	20	40
F38, F39	25	50
F51 (base and curb inlet)	50	100

Note:

1. Capacities can be considered to be 45% more than those shown in the table when assessing the 100 year event.

TABLE 5.3

MAXIMUM COMBINATION OF FLOW DEPTH AND VELOCITY

Water Velocity (m/s)	Permissible Depth (m)
0.5	0.80
1.0	0.32
2.0	0.21
3.0	0.09

Note: Based on a 20 kg child and concrete lined channel. Larger persons may be able to withstand deeper flows.

END OF SECTION 5

6.1.0 SERVICE CONNECTIONS

- .1 For sanitary sewer, water, and where applicable storm sewer, service connections shall be extended 4.0 meters into the lot.
- .2 The minimum size of service connections to a single family dwelling shall be as follows:

Sanitary Sewer	100 mm diameter
Water Service	19 mm diameter
- .3 The minimum grade of 100mm sewer services shall be 2.0%, unless approved otherwise by Town approved Engineer.
- .4 Connection to a main sewer line shall be by means of a saddle or tee at the 10 o'clock or 2 o'clock position on the main.
- .5 Where bends are utilized, the long radius type or 45° bends shall be used.
- .6 For water services size 50 mm and smaller, the tapping shall be at the 10 to 2 o'clock position on the distribution main.
- .7 Watermains shall be tapped under pressure where possible.
- .8 Service clamps shall be used on all dry tap installations and for all services in the 38mm to 62mm size range inclusive. Clamps shall be Robar 2706 or Canadian Brass 301 or Smith Blair 323.
- .9 All curb stops shall be marked with a 0.6 m length of 100mm pipe. The pipe shall extend above the top of finished grade a minimum of 0.5 m.

6.2.0 SANITARY SEWER SERVICE - MATERIALS

- .1 Service pipe shall be:
 - a) PVC SDR 28 building service pipe conforming to CSA Specification B 182.1, latest revision thereof.
- .2 Service fittings shall be either in line tees, inserta tees, or saddle tees c/w gasket and stainless steel straps and nuts.

6.3.0 WATER SERVICE - MATERIALS

- .1 Water service pipe shall be:
 - a) PEX Pipe (cross linked polyethylene pipe) manufactured in accordance with CSA B137.5 and ASTM F876 and to comply with NSF 14 and 61 (PW), complete with compression fittings and stainless steel inserts.
- .2 Water service fittings:
 - a) Corporation Cocks - Compression type ball valve, Ford or approved equal, AWWA thread.
 - b) Curb Stops - Ford or approved equal, compression type ball valve with a drain. Curb stops 38 mm or larger shall be ball bearing type.
 - c) Service Boxes - Epoxy coated extension type for maximum extension of 3.3 m c/w stainless steel operating rod, brass clevis and key. Service box to be supported on a cast iron foot piece nailed to a pressure treated preserved wood plank.
 - d) Service Clamps - Bronze double strap conforming to Smith-Blair 323 or approved stainless steel AWWA Boss..

6.4.0 SERVICE CONNECTIONS - INSTALLATION REQUIREMENTS

- .1 Where the water service is 50 mm or smaller in size, the water and sanitary services shall be installed in a common trench to the middle of each lot.
- .2 The services shall be installed so that, when facing the lot being served, the water service is on the right of the sanitary service.
- .3 The minimum depth of cover over the water and sanitary services at the property line shall be 2.40 m and shall be in accordance with Std. Dwg. No's. U6 and U7.
- .4 Where the sewer services are required to connect to mains in excess of 4.50 m deep, risers shall be installed to within 3.60 m of finished surface in accordance with Std. Dwg. No. U6.
- .5 Corporation stops and curb stops shall be installed in accordance with Std. Dwg. U7.
- .6 Where a water service is installed, there shall be a horizontal bend near the corporation stop. Service shall be snaked in the trench to allow for thermal contraction.
- .7 Curb stops shall be installed 0.2 m from lot property as shown on Std. Dwg. No. U7.

- .8 Services shall be extended into lot property 4.0 m or 0.5 m past easement line as shown on Std. Dwg. No. U6 and U7.
- .9 All services shall be laid on 100 mm of granular bedding and the bedding material shall be placed up to a level of 150 mm above the crown of the highest service in the trench.
- .10 The Developer shall employ a CSA approved material testing firm to complete the tests as outlined in Table 7.2. One copy of the results shall be submitted to the Town for their review.
- .11 The Town must be notified a minimum of 48 hours in advance of any subsequent connections to the installed sanitary services. Applicants shall be responsible to contact the Director of Infrastructure Services for a final inspection of all sanitary service connections prior to backfilling.

END OF SECTION 6

7.1.0 GEOMETRIC DESIGN STANDARDS

- .1 Street classification and designation shall be in accordance with the classification system outlined in the Roads and Transportation Association of Canada (RTAC) Manual - Geometric Design Standards for Canadian Roads and Streets.
- .2 The following are general minimum requirements and shall be used in the design of streets.
- .3 Street cross-sections shall be as defined by Table 7.1 and Standard Drawings No. T2 and T3.
- .4 Concrete curb and gutter shall be constructed on all streets in accordance with Std. Dwg. No.'s T5 and T6.
- .5 Curbs shall be low profile except adjacent to reserve and/or commercial areas where standard curb shall be constructed. One side of all streets constructed shall be complete with low profile rolled monolithic curb, gutter and sidewalk except cul-de-sacs. Sidewalk width shall be 1.2 m, except adjacent to school site or commercial areas where width of sidewalk shall be 1.50 m.
- .6 Separate sidewalks shall be 1.2 m wide. Sidewalks shall be clear of all obstructions including surface utilities. Sidewalk locations shall be in accordance with Standard Roadway Drawings No. T2 and T3. Wider sidewalks may be required in areas of high pedestrian activity, as determined by the Town.
- .7 Rear lanes (alleys) are to be graveled (thickness and sub-grade to be approved by the Town) and have a surfaced width of 6.1 m. Where rear lane traffic activity is expected to be high, such as for certain commercial developments, or where utility mains will be run through the lane, a wider surfaced width and right-of-way may be required as determined by the Town.
- .8 All driveways shall be constructed to give a minimum of 1.8 m clearance from any structure, e.g. hydrants, light standards, and service pedestals.
- .9 Sidewalk ramps shall be constructed at all intersections and at designated crosswalks, in accordance with Standard Drawing No. T9.
- .10 Transverse contraction joints 25mm deep, 6mm wide and surface joints 15mm deep and 6mm wide shall be constructed on sidewalks and curb and gutter alternating at 1500mm separations. 65mm wide troweled edging on all edges and joints. Surface shall be brushed finish.

7.2.0 VERTICAL ALIGNMENT

- .1 Minimum gutter grades around all curves and along all tangents shall not be less than 0.5%. Minimum gutter grades on curb returns shall be 0.6%.
- .2 Maximum gutter grades shall not exceed those defined by Table 7.1.
- .3 All roadways shall be crowned or shall have a cross fall as shown on the applicable standard drawings. The standard cross fall rate is 2.5%.
- .4 All vertical curves shall be designed to meet or exceed the following minimum requirements:

K Value		
Design Speed km/h	Crest	Sag*
50	29	33
60	54	52

$$K = L/A$$

L = length of vertical curve in metres

A = Algebraic difference in grades percent

* = based on comfort control and assumes street lighting

- .5 The maximum super elevation is shown in Table 7.1.
- .6 Rear lanes (alleys) shall have a minimum longitudinal grade of 0.6%. Lanes shall be graveled, the lane shall have a center crown and cross slopes of 2.5%.

7.3.0 HORIZONTAL ALIGNMENT

- .1 The minimum radius is relative to the Road Classification, the design speed and the maximum super elevation (see Table 7.1)
- .2 All horizontal curves shall be designed to meet the minimum design requirements shown in Table 7.1.
- .3 Minimum edge of pavement radius for cul-de-sacs is 11.5 m in residential areas and 14 m in industrial areas.
- .4 Maximum cul-de-sac length shall be 100 m.

7.3.1 Curb Returns

- .1 Curb returns at residential local street intersections shall be constructed to a radius of 8 m.
- .2 Curb returns at residential collector street intersections shall be constructed to a radius of 9 m.
- .3 In industrial/commercial areas the radius should be 12 m to accommodate truck turning movements.
- .4 For arterial street intersections the curb returns shall be designed in consideration of the type and volume of the turning traffic. Two and three centred curves with or without islands may be required.
- .5 Sidewalk ramps are required at all intersections which have sidewalks.

7.4.0 PAVEMENT STRUCTURE

- .1 All roadways other than rear lanes (alleys) shall be paved with hot mix asphalt. A geotechnical report with recommended pavement designs shall be conducted by a Professional Engineer employed by a recognized engineering agency, and submitted to the Town for review.
- .2 Paved roadways shall be designed in accordance with the Asphalt Institute method of pavement design using minimum design loadings of 8165 kg (18,000 pound) axle loads for local streets and 10,886 kg (24,000 pound) axle loads for collector streets. All industrial/commercial roads shall be designed using a minimum design loading of 10,886 kg (24,000 pound) axle loads. The design parameters such as traffic count, percentage of trucks, California Bearing Ratio (CBR), etc., are to be outlined to the Town. The Town reserves the right to request the Developer to engage a geotechnical engineering agency to carry out CBR tests on the subgrade prior to paving to confirm adequacy of design.
- .3 The following are the minimum pavement structure requirements. An independent pavement design, as outlined in 7.4.1 and 7.4.2, is required for all developments. Additional pavement structure strengths and/or materials may be required in areas with poor subgrade materials pending the results of the geotechnical investigation.

Street	Residential Land Use
Local	200 mm Subgrade Prep. To 98% SPD Geotextile 250 mm Depth of 75 mm Pit Run Gravel Base Course. 100 mm Depth of 20 mm Crushed Gravel Levelling Course. 75 mm Asphaltic Concrete Surface
Collector	300 mm Subgrade Prep. to 98% SPD Geotextile 300 mm Depth of 75 mm Pit Run Gravel Base Course. 100 mm Depth of 20 mm Crushed Gravel Levelling Course. 90 mm Asphaltic Concrete Surface
Arterial Industrial Commercial	300 mm Subgrade Prep. to 98% SPD Geotextile 350 mm Depth of 75 mm Pit Run Gravel Base Course. 150 mm Depth of 20 mm Crushed Gravel Levelling Course. 125 mm Asphaltic Concrete Surface

*Note: The final 50 mm lift of asphaltic concrete on Arterial Roads shall be placed in the second year of the maintenance period.

- .4 Alternative pavement designs, such as soil cement base, may be approved by the Town Engineer. Approval of alternate pavement designs must be obtained in writing from the Town prior to submission of design drawings.
- .5 Lanes shall have 200 mm of 75 mm diameter minus pit run with 75 mm of 20 mm diameter crush gravel. If paved the thickness shall be 75 mm of asphalt.

7.5.0 GRANULAR BASE

- .1 Gradations to be within the limits specified below when tested to ASTM C136 and ASTM C117 and yield a smooth curve without sharp breaks when plotted on a semi-log grading chart.

20 mm Minus Gravel

Sieve Size	% Passing By Weight
20 mm	100
12.5 mm	60 - 95
5.0 mm	35 - 65
2.00 mm	25 - 55
0.400 mm	10 - 30
0.800 mm	2 - 10

- .2 60% of material 5 mm and larger shall have at least one freshly fractured face.
- .3 All granular materials should be compacted to 100% Standard Proctor Density.

7.6.0 ASPHALTIC CONCRETE PAVEMENT

7.6.1 Description

- .1 Asphaltic concrete pavements shall consist of mineral aggregate, filler and asphaltic binder, and shall be laid and compacted to specified thickness and shall conform to the approved lines, grades and typical cross sections.

7.6.2 Minerals

.1 Aggregates in Mix

When tested by means of laboratory sieves, the combined aggregates in the mix shall meet the following gradation.

<u>Sieve Size</u>	<u>Cumulative % Passing by Weight</u>	
	<u>Light Duty</u>	<u>Heavy Duty</u>
12.5 mm	100	100
10 mm	78 - 94	83 - 90
5 mm	53 - 80	55 - 70
2.5 mm	42 - 67	40 - 60
0.630 mm	24 - 44	18 - 38
0.315 mm	16 - 32	12 - 30
0.160 mm	8 - 22	8 - 18
0.080 mm	4 - 10	2 - 6
Min. % retained on 5 mm sieve having at least two fractured surfaces	70	70
Manufactured fines content, as a percentage of fine aggregate mass.	N/A	75 min.

.2 Asphaltic Binder

The asphaltic binder shall be uniform in character, shall not foam when heated to 177°C and shall meet the following requirements:

Designation	150 - 200 (A)
Penetration at 25°C, 100 gm., 5 sec.	150 - 200
Flash Point (C.O.C.) - °C	205 min
Ductility at 25°C, - cm.	100 min
Solubility in carbon tetrachloride - %	99.0 min
Penetration after thin film oven test, at 25°C - % of original	40 min
Kinematic Viscosity in Centistokes @ 135°C	150 min

7.6.3 Mix Design

A mix design shall be based on the Marshall Method and shall conform to the following criteria:

	<u>Light Duty Mix</u>	<u>Heavy Duty Mix</u>
Compaction Blows on each face of specimen	50	75
Minimum Marshall Stability @ 60°C	4,500 N	6,700 N
Flow Value - mm	2 to 4	1.5 to 3
% Air Voids, Total Mix	3 to 5	3.5 to 4.5
% Voids in Mineral Aggregates	15 min	15 min
Asphalt Content, % of Total Mix	5 to 7	5 to 8
Retained Stability (%)	75 min	75 min

The mix design shall be carried out by an accredited testing agency and shall be submitted to the Town Engineer for approval at least one week prior to commencement of work.

7.6.4 Final Density Requirements

- .1 For full payment, the Lot Mean Pavement Compaction must be equal to or greater than 93% of the Lot Mean Maximum Relative Density.
- .2 The Town may decide to accept areas deficient in density if the Town receives compensation in accordance to the following:

<u>Density</u>	<u>Unit Price Compensation</u>
Greater than 93.0%	0
92.50 to 92.99%	1%
92.00 to 92.49%	4%
91.50 to 91.99%	10%
91.00 to 91.49%	22%
90.50 to 91.99%	42%
90.00 to 90.49%	76%
Less than 90.0%	100% (Rejection) - Subject to removal and replacement at Owner's Discretion

- .3 No adjustment to the unit price to be made for areas with excess density.
- .4 The application of an adjusted unit price does not relieve the Developer of the Contract Maintenance requirements.

7.6.5 Asphalt Thickness Tolerances

- .1 All asphaltic concrete pavement to be of thickness indicated on the approved design drawings.
- .2 The Town may accept areas deficient in thickness if the Town receives compensation in accordance to the following:
 - .1 No adjustment in unit price for areas thicker than required.
 - .2 For areas deficient in thickness by more than 5% of the total design thickness and less than 15 mm the unit price is to be adjusted to the following formula:

$$\frac{\text{Adjusted Unit Price}}{\text{Contract Unit Price}} = \frac{(\text{Actual Thickness})^2}{(\text{Specified Thickness})^2}$$
 - .3 Areas deficient in thickness by more than 15 mm to be rejected.

7.7.0 PRIME COATS AND TACK COATS

7.7.1 Description

Prime coats shall be the application of bituminous material to subgrade or previously prepared gravel base course prior to placing bituminous surfacing materials.

Tack coats shall be the application of bituminous material to a previously constructed paving surface of any type in preparation of placing bituminous surfacing materials, and against curb gutter faces, manholes, valves and other appurtenances in the street to be paved.

7.7.2 Prime Coat (Over Granular Base)

The bituminous material for priming the base course shall be liquid asphalt. The asphalt types may vary from M.C. 30 to M.C. 250; from SS-1 to a special emulsified primer (S.E.P.1) to suit the conditions of the base. The rate of application may vary from 0.50 to 1.50 L/m² based on the nature of the base materials. The rate should permit a good penetration of the base without ponding on the surface. Excess asphalt materials remaining 6 hours after application shall be absorbed and removed with sand blotter material. Temperature of application shall fall within the following limits:

Medium Curing Asphalt:

M.C. 30 - (51°C - 68°C)

M.C. 70 - (74°C - 88°C)

M.C. 250 - (100°C - 110°C)

Emulsified Asphalt:

SS-1 - (24°C - 54°C)

Special Emulsified Primer:

S.E.P.1 (15°C - 50°C)

7.7.3. Tack Coat (Over Asphalt Base)

The asphalt for the tack coat may vary from SS-1 to SS-1H; from R.C. 30 to R.C. 250 depending on conditions to suit the base. The SS emulsion shall be diluted by adding an equal amount of water prior to application. The rate of application shall be 0.25 to 0.90 L/m², based on the condition of the asphalt base. The rate shall ensure that a uniform coverage providing a good bond, after curing, is achieved. Temperatures of application shall fall within the following limits:

Rapid Curing Asphalts:	Emulsified Asphalt:
R.C. 30 - (51°C - 68°C)	SS-1 - (24°C - 54°C)
R.C. 70 - (74°C - 88°C)	SS1H - (24°C - 54°C)

7.8.0 CONCRETE FLATWORK

7.8.1 Description

Curb, gutter and sidewalk shall consist of concrete placed to conform to the approved lines, grades and typical cross sections.

7.8.2 Minerals

.1 Portland Cement

Portland cement shall conform to A.S.T.M. C150 or CSA Standard A5, latest revision thereof.

.2 Aggregates

Concrete aggregates shall conform to A.S.T.M. Specification C33, latest revision thereof.

.3 Air Entraining Agent

An air entraining agent conforming to A.S.T.M. C260 shall be added to all concrete in sufficient amounts to produce air entrainment between limits of 5.5% to 8%.

.4 Calcium Chloride

The use of calcium chloride will not be permitted except during cold weather conditions when a maximum of 2%, by weight of cement, will be allowed with Type 10 concrete.

.5 Curing Compound

Curing compound shall be a resin base impervious membrane and shall conform to A.S.T.M. C309 Type 1D - Type B. It shall be sufficiently free from permanent colour to result in no profound change in colour from that of natural concrete. The compound shall however contain a dye of colour strength sufficient to render the film distinctly visible on the concrete for a period of at least four (4) hours after application.

6. Fly Ash

The maximum fly ash content is 10% by mass of cement. No fly ash permitted after September 1st.

7.8.3 Mix Design

- .1 The concrete for curb, gutter and sidewalk shall meet the following requirements:

Minimum Compressive Strength at 28 days	30 MPa
Maximum Size of Coarse Aggregate	20 mm
Slump	40 mm - 75 mm
	25mm – 50 mm (Extruded)
Entrained Air Content	5.5% to 8%
	5.0% to 7% (Extruded)

- .2 From September 30th to May 1st, all concrete shall attain the specified 28 day strength in 7 days.

7.8.4 Placing of Concrete

- .1 The subgrade shall be compacted to a minimum of 98% Standard Proctor Density under curbs, driveways, and swales in travelled areas.
- .2 Concrete shall be placed and vibrated to form curbs, gutters and sidewalks in accordance with the Standard Drawings.
- .3 The backfilling behind curb, gutter and sidewalk shall be carried out immediately after form removal and shall be compacted to a minimum of 95% Standard Proctor Density.

7.8.5 Concreting in Cold Weather

When the mean average temperature is below 5°C, suitable means shall be provided for maintaining the concrete at a temperature of at least 10°C for seven days after placing of concrete.

7.9.0 TESTING AND INSPECTION

The Developer shall employ a CSA approved material testing firm to complete the tests as outlined in the Table 7.2. One copy of all test results shall be submitted to the Town for their review.

7.10.0 TRAFFIC CONTROL DEVICES, STREET NAME SIGNS AND PAVEMENT MARKINGS

- .1 Plans shall be provided to the Town which depict the locations and details of all traffic control devices (traffic signs and traffic signals), street name signs and pavement markings. All signs and traffic control devices must be supplied by the developer at their expense.
- .2 All traffic control devices and pavement markings shall be designed and installed in accordance with the manual "Uniform Traffic Control Devices for Canada" as issued and revised from time to time by the Transportation Association of Canada (formerly RTAC).
- .3 Guide and information signing shall be designed and installed in accordance with the "Urban Guide and Information Sign Manual" as issued by the Alberta Government.
- .4 Street signing shall be standard aluminum, black letter on white with green border, with a minimum vertical dimension of 100 mm.

7.10.1 Materials

- .1 All signs shall utilize high intensity reflectorized material.
- .2 All sign posts shall be 50 mm diameter and 3 m long galvanized schedule 40 steel post unless otherwise approved by the Town.
- .3 Along arterial streets, and at arterial street intersections, pavement markings shall be of a "permanent" type, inlaid with the final asphaltic concrete surface course. Painted markings are acceptable elsewhere.

7.10.2 Installation

- .1 All traffic control signs shall be mounted to provide 2.1 m vertical clearance to the lowest portion of the sign, unless otherwise approved by the Engineer.
- .2 All signs shall be mounted to provide a minimum of 0.3 m of horizontal clearance back of concrete.

7.11.0 STREET LIGHTING**7.11.1 General**

- .1 The following standards are applicable to all types of development, except for industrial developments. Standards for industrial development shall be determined by the Town during the initial planning stages of the proposed development.
- .2 All street lighting cables shall be installed underground.

7.11.2 Design

- .1 Street lighting posts with fixtures shall be steel posts comparable to the existing posts within the Town for the several types of streets.
- .2 The location and density of street lights shall be such to provide the following minimum lighting levels.

Roadway Class	Area Class	Illuminance Average (lux)	Criteria	
			Uniformity Maximum Avg/Min Ratio	Maximum Max/Min Ratio
Arterial	Downtown	22	3:1	6:1
	Commercial	17	3:1	6:1
	Residential	12	3:1	6:1
	Industrial	9	3:1	6:1
Collector	Downtown	17	3:1	6:1
	Commercial	13	3:1	6:1
	Residential	10	3:1	6:1
	Industrial	6	3:1	6:1
Local	Downtown	12	3:1	6:1
	Commercial	10	3:1	6:1
	Residential	6	6:1	12:1
	Industrial	6	6:1	12:1
Lane	Downtown	6	6:1	10:1
	Commercial	6	6:1	10:1
	Residential	4	6:1	12:1

- .3 Street lighting fixtures shall be LED type.
- .4 Street lighting design shall be approved by Fortis Alberta.

7.11.3 Location

- .1 The Developer shall co-ordinate the location of street lights to ensure that they do not interfere with the other utilities and driveways.
- .2 Street lights in general shall be on the projection of common property lines between two lots.
- .3 Street lights shall be offset from roadway and sidewalks in accordance with Table 7.1.
- .4 Street lights shall be provided for each internal park area that does not abut onto a lighted street. A street light shall be located at the point where each walkway opens out onto the park area.
- .5 All residential street light standards shall be 100W, 30-8, Fortis 1402-1, 1420-5, 1463-5, or approved alternate.

7.11.4 Costs

- .1 Any capital contribution that the utility company may charge for installation of underground street lighting shall be paid by the Developer.
- .2 The Developer shall pay all charges to the utility company for the operation and maintenance of street lights installed in the subdivision until building permit issuance of 30% of the Subdivision Area has been reached. At that time, the Town will assume payment of operation and maintenance charges to the utility company.

END OF SECTION 7

TABLE 7.1

**SUMMARY OF RECOMMENDED DESIGN STANDARDS
FOR STREETS**

Classification	Traffic Volumes (vpd)	Design Speed ^a (km/h)	Right-of-Way Width (m)	Pavement Widths (m)	Travel Lanes ^c	Parking Lanes	Maximum Gradients (%)	Maximum Superelevation (m/m)
Undivided Arterials	5,000-12,000	60 - 70	30.0	17.0	4.0 m	no outside lanes	6	.04
Residential Collector	Up to 5,000	60	20.0	12.0	N/A	N/A	7	.025
Local Residential	Up to 800	60	16.0	9.5	N/A	N/A	8	.025
Commercial & Industrial	N/A	60	18.0	12.2	N/A	Optional	6	.025
Laneways	N/A	N/A	6.1	N/A	N/A			

Classification	Minimum Radius of Curvature (m)	Minimum Intersection Spacing (m)	Minimum Curb Return Radius at Intersections	Sidewalks	Lighting Poles and Other Obstructions	Parking	Access
Undivided Arterials	150	150	12 m	Separate, 1 or 2 sides	3.0 m min. from lip of gutter or behind sidewalk	Restricted	Restricted ^e
Residential Collectors	80	60	9 m	Separate or Mono, one side	2.5 m min. from lip of gutter	Permitted	Permitted ^f
Local Residential	80	60	8 m	Mono, one side	2.0 m min. from lip of gutter	Permitted	Permitted
Local Industrial	90	60	11 m	Optional	2.5 m min. from lip of gutter	Optional	Permitted
Industrial Collector	150	150	12 m	Optional	3.0 m min. from lip of gutter	Optional	Some Restrictions

- Notes:
- a. Posted speed to be 10 km/h less than design speed.
 - b. Land for noise attenuation will be in addition to the road right-of-way requirement.
 - c. Additional travel lane width may be required to accommodate cyclists, e.g. on arterials the outside lanes are 4.2 m wide.
 - d. Additional right-of-way required where rural roadway cross section is used for initial stage.
 - e. Prohibited for residential land uses.
 - f. Rear lane (alley) access preferred.

TABLE 7.2 TEST FREQUENCY

Specification	Type of Test	Minimum Test Frequency	Remark:
Trenching, Backfilling Trenching, Backfilling & Compaction for Electrical Installation	Density Test: - Trench longer than 15 m - trench shorter than 15 m	2 tests per 600 mm of depth for every 100 m of trench length 3 tests per trench	Testing will vary with location of project and consequences of trench settlement.
Roadway Excavation, Backfill & Compaction	Grading/Fill Compaction: Subgrade Preparation: Proof Rolling:	1 density test per 2000 sq.m of compacted lift 1 density test per 1000 sq.m of compacted subgrade lift Entire project	
Aggregate: General Granular Sub-base Granular Base	Source Sampling: Compaction: Proof Rolling	1 sieve analysis per 500 tonnes (250 m ³) of asphalt aggregate for crushing control 1 sieve analysis per 2500 (1250 m ³) tonnes of base and subbase aggregate 1 density test per 1500 sq.m of compacted granular lift of road Entire project	Required 2 weeks prior to commencing work
Stabilization: Lime	Source Sampling: Test Area: Proof Rolling:	400 sq.m to establish and demonstrate work methods and timing At completion of curing period	Required 2 weeks prior to commencing work
Soil Cement	Source Sampling (aggregate): Mix Design: Thickness Test: Compaction Test: Strength Test:	1 sieve analysis per 2500 tonnes (1250 m ³) 1 core sample per 1000 sq.m of soil cement in place 1 density test per 1000 sq.m of soil cement in place 1 7-day compressive strength test per 1000 tonne of soil cement	Required 2 weeks prior to commencing work Required 2 weeks prior to commencing work Areas suspected to have inadequate thickness
Topsoil	Topsoil Analysis: - On-site Sources - Contractor Supplied	1 analysis report for each topsoil source Contractor to supply 1 litre sample of each topsoil type for testing	Required 4 weeks prior to commencing work
Asphaltic Concrete Paving	Mix Design: Density/Thickness Test: Mix Proportions:	3 cores per 6000 tonnes of asphalt pavement (5000 m ² for a 50 mm lift) 1 Marshall core per 6000 tonnes of mix, with a minimum of 1 test from each full day's production	Required 2 weeks prior to commencing work
Watermain	Hydrostatic/Leakage Test: Bacteria/Chlorine Test:	Test section not to exceed 365 m in length	Provide Engineer at least 24 hours notice
Storm Sewer Sanitary Sewer	Television and Photographic Inspections:	Upon completion of storm sewer installation, after backfilling	
Forcemains	Hydrostatic/Leakage Test:	Test section not to exceed 365 m in length	Provide Engineer at least 24 hours notice
Concrete Curbs & Gutter, Walks, Medians, Driveways & Swales General Concrete Slip Formed Concrete	Mix Design: Slump Test: Air Content Test: Strength Test:	1 per 30 cu.m for each class of concrete poured, min. 1 per day 1 per 30 cu.m for each class of concrete poured, min. 1 per day 1 per 30 cu.m for each class of concrete poured, min. 1 per day	Required 2 weeks prior to commencing work Every truck until consistency is established Every truck until consistency is established

PART 1 - LOT GRADING

8.1.0 SUBDIVISION GRADING

8.1.1 Plans

The Developer shall submit plans indicating the following information:

- a) Existing contours
- b) Proposed gutter elevations and grades.
- c) Location of all proposed surface drainage swales.
- d) Proposed elevations at lot corners.
- e) Proposed general grading of lots.
- f) Direction of drainage.
- g) The proposed elevations and grades for all Public Lands.

A common drawing (Grading Plan) shall be used to consolidate this information.

8.1.2 Design

The grading design shall compliment the overall design of both the minor and major storm sewer system. In general, the lots shall be graded and sloped in such a manner that a minimum of surface runoff water will be conducted to other properties. Where surface drainage swales direct runoff from one lot to the next, the necessary drainage easements shall be registered concurrently with the plan of subdivision.

Public lands shall be graded to drain towards developed streets and/or storm sewer catchbasins.

Boulevard areas shall be graded to provide a minimum slope of 2% from property line to top of curb.

8.2.0 LOT GRADING

8.2.1 Plans

The Developer shall submit to the Town an overall plan of the area to be developed on which shall be indicated the following information:

- a) Proposed top of curb elevation at each corner of the lot.
- b) Existing and proposed lot corner elevations.
- c) Invert, location and grade of sanitary sewer service and water service.
- d) Direction of drainage including a proposed grading plan showing final contours of the subdivision. Such contour plan shall have a 0.5 meter contour interval.

Lot Developers shall submit individual lot plans in accordance with Standard Drawing T1.

8.2.2 Retaining Walls

Where extremes in elevation of adjoining lots require the construction of a retaining wall, such shall be indicated on the proposed grading plan and no work or construction will be permitted on the building lots which are the subject of or adjacent to the said retaining wall without a commitment by either owner of the two lots involved to construct such retaining wall at the time of construction of the proposed building.

8.2.3 Design

- .1 Minimum grades at the building(s), for all lots adjacent to trapped lows must be a minimum of 300 mm above the 1:100 year ponding elevation for the trapped low.
- .2 Fixed grade control must be provided at the back of all lots.
- .3 A positive drainage swale must be provided between lots draining from back to front or front to back. Property owners must maintain this drainage swale, and ensure that drainage is not directed onto adjacent properties. Common property line grass swales must be sloped at a minimum of 2%. Common property line concrete/asphalt swales must be sloped at a minimum of 0.6%.
- .4 Lots shall be graded to achieve a minimum slope of 10% away from the building for the initial 2.0 m. If the distance between the building and edge of lot is less than 2.0 m, the finish grade must be a minimum 150 mm above the edge of lot. After the first 2.0 m the remainder of the lot shall be sloped at a minimum slope of 2% to the edge of lot.
- .5 In cases where the backyard slopes towards the building, provisions are required to keep the runoff at least 3.0 m away from the building with the possibility of draining the surface water along the lot lines onto the streets.
- .6 Reverse graded driveways are not permitted.
- .7 Reserves and public lands shall be graded to drain towards developed streets, lanes, and/or storm sewer catchbasins.

8.2.4 Surface Drainage

Where surface drainage swales are required they are to be constructed as outlined in Section 5.12.0 and drawing T10.

PART II - LANDSCAPING

8.3.0 DESCRIPTION

.1 The work under landscaping includes the following:

- a) Site preparation
- b) Seeding and/or sodding
- c) Planting

8.3.1 Scope

.1 This section covers the following areas:

- a) Boulevards - Areas between curb and sidewalk.
 - To be topsoiled and sodded by Developer.
 - Plant material as per Section 8.4.0.
- b) Buffer Strip - Areas separating arterial roads from residential property.
 - To be topsoiled and sodded by Developer.
 - Plant material as per Section 8.4.0.
- c) Utility lots and/or walkways.
 - To be topsoiled and seeded by Developer.
 - Plant material as per Section 8.4.0.
- d) Median strips and traffic islands.
 - To be topsoiled and seeded by Developer.
 - Plant material as per Section 8.4.0.
- e) Public Service and Recreation lands.
 - To be topsoiled and seeded by Developer.
 - Plant material as per Section 8.4.0.
 - Town may accept cash in lieu of additional park development

.2 For fencing requirements see Section 8.10.0.

8.3.2 Landscaping Plan

- .1 The Developer shall submit a landscaping plan detailing the proposed improvements. This plan shall be drawn to a scale of 1:1000 and shall identify areas to be seeded or sodded; location and name of all trees and shrubs; location of planting beds; location and type of fencing, pathways, and irrigation; and any park furniture or playground equipment being installed. This plan shall utilize the overall road, sidewalk and walkway plan as a base.
- .2 The Developer shall submit detailed drawings of proposed park furniture or playground equipment for approval by the Town Development Officer or Director of Infrastructure Services.
- .3 No landscaping shall commence until the landscaping plan has been approved by the Town Development Officer or Director of Infrastructure Services.

8.4.0 LANDSCAPE DESIGN REQUIREMENTS**8.4.1 General Requirements**

- .1 Landscape specifications for rough site work, topsoil, seed and sod, trees, shrubs and ground covers, mulches, see: Section 8.5 through 8.9.
- .2 Turf irrigation shall be provided in accordance with Section 8.11
- .3 Where possible, trees will be set back a minimum distance from above and below grade utilities and property lines as specified in this section.
- .4 Trees and shrubs will be set back a minimum of 2.0 m from back of curb at walk.
- .5 All plant materials shall be as specified on the approved plant list on landscape drawings.
- .6 Planting bed layouts to be designed to facilitate easy maneuverability of large turf maintenance and cutting equipment.
- .7 Uniform or screen fences will be positioned wholly on adjacent privately-owned lands.
- .8 The screen and uniform fencing to meet Town standards. See Section 8.10.
- .9 Furniture may be provided by the Developer and placed at strategic locations. The following setbacks to be respected:

Benches - 1.0 m back of walkway

Waste Receptacles - 250 mm back of walkway

Picnic Tables - designed in clusters to the satisfaction of the Town Development Officer or Director of Infrastructure Services.

- .10 Furniture to meet Parks and Recreation Standards. All furniture will be anchored to concrete bases, and supplied with a 300 mm concrete apron beyond the furniture edge.
- .11 No annual plantings will be approved in planting beds to be maintained by the Town.
- .12 There shall be a replacement value of two (2) new trees planted for every one (1) tree removed from public land.

8.4.2 Residential Boulevards

- .1 Boulevards separated by a walk must be graded, topsoiled, and sodded between the back of curb and the walk by the Developer to the satisfaction of the Town's Development Officer or Director of Infrastructure Services.
- .2 Boulevards shall be designed with a minimum boulevard tree spacing as specified by the "Boulevard Trees and Spacing Guidelines". Section 8.4.5.
- .3 Minimum deciduous tree calliper 60 mm.

8.4.3 Collector Roadways

- .1 Collector boulevards must be graded, topsoiled, sodded, and landscaped by the Developer to the satisfaction of the Town Development Officer or Director of Infrastructure Services.
- .2 Boulevards shall be designed with a minimum of one tree every 8 - 10 linear meters depending on tree species as specified by the "Boulevard Trees and Spacing Guidelines". See Section 8.4.5.
- .3 Minimum deciduous tree calliper 60 mm. Minimum coniferous tree height 2.5 m. Tree mix 60% coniferous and 40% deciduous suggested.
- .4 Boulevards may be designed to include planting beds, shrubs and ground covers.
- .5 Minimum shrub size five gallon potted and planted 1.0 m o.c.. Minimum shrub height and spread will be 600 mm, subject to availability.

8.4.4 Major Entrance Routes to the Town

- .1 Boulevards shall be designed with a minimum of one tree every 8 - 10 linear meters depending on tree species as specified by the "Boulevard Tree Spacing Guidelines". See Section 8.4.5.
- .2 Boulevards shall be designed to include continuous large planting beds with trees, shrubs and ground covers.
- .3 Minimum deciduous tree calliper 80 mm. Minimum coniferous tree height 3.0 m. Tree mix 60% coniferous and 40% deciduous required.
- .4 Minimum shrub size five gallon potted. Minimum shrub height and spread will be 600 mm - 1200 mm, subject to availability.

8.4.5 Development Permit Landscaping on Town Lands

- .1 In the event the Developer is redeveloping existing facilities or previously serviced lands, the Development Officer or Director of Infrastructure Services may require the landscape plans to be approved by the Town prior to the issuance of a development permit.

BOULEVARD TREES AND SPACING GUIDELINES

<u>Common Name</u>	<u>Minimum Spacing (Metres)</u>
Summit Ash	8.0
Patmore Ash	8.0
Black Ash	8.0
Manchrian Ash	8.0
Linden	6.0
Pine Species (tree form and dependent on species)	4.0 - 8.0
Spruce Species (dependant on species)	4.0 - 8.0
Swedish Columnar Poplar	3.0 - 6.0
Tower Poplar	3.0 - 6.0

Note: The Developer may suggest other trees for roadway boulevards depending on specific site constraints. Spacing of other trees will be reviewed by the Town’s Development Officer or Director of Infrastructure Services on an individual project basis.

8.4.6 Medians and Entry Features

- .1 Landscaped road islands, medians and entry features must be top-soiled, sodded and planted with trees and/or shrubs and ground covers by the Developer to the satisfaction of the Town. All road island, median and entry feature designs must be low maintenance.
- .2 Minimum deciduous tree calliper 60 mm.
- .3 Tree and shrub planting design will consider important vehicular sightlines.
- .4 Shrubs will be massed within planting beds. Minimum shrub size five gallon potted and planted 1.0 m o.c. or appropriate to species. Minimum shrub height and spread will be 600 mm, subject to availability. Suggest trees be positioned within planting beds.
- .5 Planting beds to be designed c/w weed liners and landscape edging. All planting beds to have minimum 100 mm wood chip mulch or, decorative crushed granular, or shale topping.
- .6 If turf areas are designed within road islands and medians, total consolidated turf area to be greater than 75 sq. m.
- .7 No free standing architectural features i.e. signs, sculptures, light poles, entry gates will be located within turf areas.
- .8 Paving stone and paving stone header, concrete or other special hard-surfaced verge or walks to the satisfaction of the Town.
- .9 Planting Cross Section Detail of road islands and medians drawn at an appropriate scale showing all underground utilities within 3.0 m of planting root zones, limits to road base and sub bases and the limits of the compacted verge base materials in relation to organic soils, mulches and to the root zones of trees and shrubs.
- .10 Planting Plan Detail of road islands and medians drawn at an appropriate scale showing all underground utility alignments within 3.0 m of road island; curb face; back of curb, verge or walk, tree and shrub setbacks; proposed planting and spacing; landscaped edging, mulches and free-standing features i.e. signs, gates, pedestals, sculptures, light poles, etc.
- .11 Planting Cross Section Detail and Planting Plan Detail to be cross referenced to engineering and landscape plans and details which support proposed design solution.

-
- .12 Lighting, if provided, shall be to the satisfaction of the Town Development Officer.
 - .13 Sewers and other underground utilities should not be aligned under landscaped road islands and medians to avoid conflicts with landscape improvements.

8.4.7 Walkways

- .1 Walkway rights-of-way must be graded, top-soiled, seeded or sodded, and planted with trees and ground covers by the Developer to the satisfaction of the Town.
- .2 There shall be a minimum of four trees per every 35 linear meters of walkway right-of-way. Trees and ground covers as specified by "Plant Materials Appropriate for 6 m Walkway Rights-of-Way".
- .3 Where possible, trees will be set back a minimum distance of 0.8 m from adjacent private property lines.
- .4 Trees shall be grouped in rows. Tree groupings shall be positioned on the either side of the walk and groupings will be staggered. Minimum deciduous tree calliper 60 mm. Minimum coniferous tree height 2.5 m. Tree mix of 60% coniferous and 40% deciduous required.
- .5 Ground covers will be massed within planting beds. Minimum ground cover size three gallon pot planted 750 mm o.c. Suggest trees be positioned within planting beds.
- .6 Planting beds may be designed c/w weed liners and landscape edging. All planting beds to have a minimum 100 mm wood chip mulch. Decorative crushed granular will not be approved as a substitute for wood mulch.
- .7 Furniture may be provided by the Developer and placed at strategic locations within the walkway.
- .8 Screen and uniform fences if provided by the Developer shall meet the specifications in Section 8.10.
- .9 Walks may be required within walkway or top-of-bank rights-of-way to the satisfaction of the Town.

PLANT MATERIALS APPROPRIATE FOR 6 M WALKWAY RIGHTS-OF-WAY

The following lists a variety of plant materials approved for use by the Town of Claresholm in walkway rights-of-way 6 m and wider.

<u>Common Name</u>	<u>Minimum Spacing (Meters)</u>
<u>TREES</u>	
Lodgepole Pine	4.0
Black Ash	8.0
Linden	6.0
Pin Cherry	4.0
Japanese Tree Lilac	4.0
Columnar Aspen	4.0
Tower Poplar	4.0

<u>Common Name</u>	<u>Minimum Spacing (Meters)</u>
<u>GROUND COVER</u>	
Juniper	-
Periwinkle	-
Phlox	-
Thyme	-
Gout Weed (Not with other shrubs)	-

Note: The Developer may suggest other trees, tree form shrubs and ground covers for walkway rights-of-way depending on specific site constraints. These will be reviewed by the Town on an individual project basis.

The following design issues to be considered by the Developer recommending alternative plant materials:

- i. Maintaining adequate year round sight lines through the walkway rights-of-way for pedestrian safety and security.
- ii. Suggested minimum 2 m (6 ft.) branching height for all trees to allow adequate pedestrian clearance beneath tree branches.
- iii. Low maintenance hardy plant species common to South Central Alberta.

- iv. Limited horizontal root growth and no sucker-type roots to avoid encroachment into adjoining privately-owned lands.
- v. Pyramidal/columnar tree forms to avoid tree branches overhanging into adjoining privately-owned lands.

8.4.8 Pipelines and Major Utility Corridors

- .1 Utility corridors must be graded, top-soiled, seeded or sodded and landscaped by the developer to the satisfaction of the Town.
- .2 Neither trees nor shrubs shall be planted in utility corridors.
- .3 Furniture may be provided by the Developer and placed at strategic locations within the utility corridor.
- .4 Screen and uniform fences if provided by the Developer shall meet the specifications herein.
- .5 Walks, if provided within the rights-of-way, shall be to the satisfaction of the Town.

8.4.9 Storm Water Management Facilities

- .1 Dry pond and areas surrounding new storm water management lake facilities must be graded, top-soiled, seeded or sodded, and landscaped by the Developer to the satisfaction of the Town.
- .2 Plant materials will be selected to respect hydrological and soil saturation characteristics of the facility.
- .3 Public lands within the facility must be planted with a minimum of 30 trees per landscaped acre above normal water line and designed and massed into major groupings. Minimum deciduous tree calliper 60 mm. Minimum coniferous tree height 2.5 m. Tree mix 60% coniferous and 40% deciduous suggested.
- .4 Shrubs may be substituted for trees at a rate of 5 shrubs for one tree to a maximum of 15 trees per landscaped acre.
- .5 Shrubs will be massed within large planting beds above the 1:5 year flood line to create major focal areas on the slopes of the dry pond. Minimum shrub size five gallon pot planted 1 m o.c. or appropriate to species. Minimum shrub height and spread 600 mm, subject to availability. Suggest trees be positioned within planting beds.

- .6 Planting bed layouts will provide a minimum width of turf areas between planting beds of 2.0 m. Landscape edging may be required in formal shrub beds.
- .7 Planting beds may be designed c/w weed liners. All planting beds to have minimum 100 mm wood chip mulch, or decorative crushed granular or shale in flood prone areas. Use of weed liners for planting beds located in flood prone areas is strongly recommended.
- .8 Major storm sewer outlets/inlets should be landscaped with plant materials and large rockery to provide visual screening and security buffering for pedestrians and dry pond users.
- .9 Where possible, relatively flat open areas should be designed to encourage active recreational uses.
- .10 Furniture may be provided by the Developer and placed at strategic locations within the dry pond.
- .11 Lighting, if provided, to be to the satisfaction of Town Development Officer.
- .12 Special or unique features i.e. artificially pumped dry streams, special play courts, bridges and architectural and structural features will be designed and sealed by recognized accredited professionals.

8.5.0 SITE PREPARATION

8.5.1. Materials

- .1 Fill Material - Fill materials, where required shall be free of stones, clods, sticks, roots, concrete, any toxic materials (e.g. salt, oil, etc.) and other objectionable extraneous matter and debris. These materials shall be removed from the site and disposed of.
- .2 Topsoil - Topsoil shall be natural fertile agricultural soil, capable of sustaining vigorous plant growth. It shall be best quality, weed free and shall be approved by the Town Development Officer.

8.5.2 Subgrade Preparation

- .1 The subgrade shall be completely free of live quackgrass roots.
- .2 The subgrade shall be graded and rolled to a firm even surface.
- .3 The final subgrade shall be 150 mm below the adjacent top of curb and/or sidewalk.

- .4 The final surface shall be sloped so that there is no runoff onto adjacent property, or any ponding.

8.5.3 Existing Utility Appurtenances and Features

- .1 All existing utility appurtenances shall be adjusted to final finished grade elevations.
- .2 All existing features e.g. trees, shrubs, monuments, curbs, sidewalks etc., shall be protected against any damage.

8.6.0 PLACING OF TOPSOIL

- .1 General - The topsoil shall be compacted to a firmness sufficient to show a heel imprint of not more than 3 mm deep, but the upper 50 mm shall be of fine texture and free of stones or lumps 6 mm or larger. Sufficient allowance shall be made for any settlement. Minimum depth of topsoil is 150 mm.
- .2 Boulevards - The finished topsoil level shall conform to the adjacent curb and sidewalk elevations and must provide for adequate drainage of sidewalk areas after turf establishment.
- .3 Buffer Strips - The finished topsoil level shall slope uniformly from the property line towards the back of the sidewalk at not less than 2%.
- .4 Utility lots and Walkways - Where sidewalks are present, a swale shall be provided at a distance of at least one metre, from either side of the sidewalk. The grade must be sloped away from the sidewalk at a minimum grade of 1%.
- .5 Median strips and Traffic Islands - The finished topsoil level shall be even from top of curb to top of curb.
- .6 Parks and Environmental Reserves - Rough grade to required levels, profiles and contours and make ready to receive surface treatment. Blend slopes into level area. Produce a uniform contoured grade, with the use of rototiller, harrow, float or roller as required.
- .7 The prepared seed bed must be inspected and approved by the Town before seeding commences.

8.7.0 SEEDING

8.7.1 Seeding - Materials

- .1 Fertilizer - Fertilizer shall be 27-14-0 and shall be applied at a rate of 2 kg/100 m².
- .2 Grass Seed - Grass seed shall be certified seed comprised of the following varieties mixed in the proportion by weight shown and testing Canada #1 or better for purity and germination:
 - a) Kentucky Blue Grass 35%
 - Creeping Red Fescue 65%
 - b) Crested Wheat Grass (only to be used if prior approval is obtained from the Town)

Grass seed to be applied at a rate of 3 kg/100 m².

8.7.2 Seeding - Execution

- .1 Fine grade area to a smooth, uniform grade with a loose textured surface free of stones, branches, roots, etc., 20 mm in diameter and larger. All areas must drain and positive drainage away from buildings must be assured.
- .2 Apply fertilizer at a rate of 2 kg per 100 square metres of area.
- .3 Seeding may be done immediately thereafter, provided the bed has remained in good, friable condition and has not become muddy or hard. If it has become hard, it shall be tilled to friable condition.
- .4 Seeding shall be applied at 3 kg per 100 square metres.
- .5 The seed may be sown by:
 - a) Hand application, by using a cyclone type seeder with the seed applied in two directions in equal amounts.
 - b) Mechanical application, by use of a calibrated specialized grass seeder that has a seed compaction roller. (This is the preferred method on parks and other large level areas.)
 - c) Hydro seeding by applying an approved turf-fibre at the rate of 1350 kilograms (dry matter) per hectare when applying the seed.

8.8.0 SODDING

8.8.1 Sodding - Materials

- .1 Fertilizer - Fertilizer shall be 27-14-0 and shall be applied at a rate of 2 kg/100 m².
- .2 Sod - All sod shall be certified and composed of the following varieties of grass:

 - Kentucky Blue Grass 35%
 - Creeping Red Fescue 65%
- .3 Sod shall be well rooted, vigorous and healthy, free from disease, insect pests, weeds or other grasses, stones or other extraneous material.
- .4 Sod shall be machine stripped at a uniform thickness of 25 mm (±5 mm). The thickness shall be determined at the time of stripping and shall exclude top growth and thatch.
- .5 Wooden pegs when required to hold sod in place on slopes shall have dimensions of approximately 25 mm x 50 mm x 300 mm. Metal pegs will not be accepted.

8.8.2 Sodding - Execution

- .1 Fine grade area to a smooth, uniform grade with a loose textured surface free of stones, branches, roots, etc., 20 mm in diameter and larger. All areas must drain and positive drainage away from buildings must be assured.
- .2 The fertilizer shall be applied on the finished surface by mechanical distributor, thoroughly and evenly incorporated with the soil to a depth not exceeding 75 mm.
- .3 The fertilizer rate of application shall be 2 kg per 100 square metres of area.
- .4 Sodding may be done immediately thereafter, provided the bed has remained in good, friable condition and has not become muddy or hard. If it has become hard it shall be tilled to friable condition.
- .5 Sod shall be laid such that their long dimension is parallel to the direction of the slope and in a manner that permits alternating of joints.
- .6 Sod shall be fitted tightly together with no visible joint. The finished surface of the turn shall be true to line and grade, firm and free of irregularities and voids.
- .7 Sod laid on slopes of two (2) horizontal to one (1) vertical or steeper shall be held in place by wooden pegs. Pegs shall be driven flush with sod.

.8 Water immediately after placement to saturate sod and topsoil.

8.8.3 Maintenance

.1 General - Maintenance shall include all measures necessary to establish and maintain all seeded and sodded areas in a healthy, vigorous growing condition, including but not limited to:

.2 Mowing - first cutting should occur when the grass is a minimum of 75 mm high and covers 100% of the seeded or sodded areas. Cut as required to maintain grass at a minimum height of 65 mm.

.3 Watering - when required, and with sufficient amounts to ensure germination and prevent grass and underlying soil from drying out.

.4 Fertilizing - including all required supplementary fertilizer applications as necessary to establish a vigorous growing stand of grass.

.5 Weed Control - shall be carried out when required to keep seeded areas reasonably free of weeds. When herbicides are used, they shall be applied in accordance with manufacturer's recommendations. Any damage resulting from the Developer's use of herbicides shall be remedied at his own expense.

Re-seed, or re-sod in the case of sodding, all areas which are deteriorating or which are bare, burned out, or are thin, and repair all damages resulting from erosion and wash-outs at the Developer's expense.

At time of final inspection, all seeded or sodded areas shall have a healthy, even, vigorously growing stand of grass, free of diseases, weeds, bare, thin, or burned-out areas.

.6 Maintenance shall include the erection and removal of all temporary protection fences, barriers and signs, where deemed necessary, and all other work incidental to proper maintenance.

.7 All damaged grass as a result of negligence on the part of the Developer shall be replaced at the Developer's expense. Only upon issuance of Final Acceptance Certificate by the Town shall the Developer cease maintenance work of the seeded or sodded area.

.8 The maintenance period of seeded or sodded areas shall be two (2) years from the date of issuance of a Completion Certificate.

- .9 The Town reserves the right to reject the seeded or sodded areas if he is not satisfied with its appearance and the Developer must re-establish the area, by removing any or all parts of the rejected work and by supplying any or all new topsoil, seed, sod (in the case of sodding), peat moss, fertilizer and labour necessary for such an operation and must do so at his own expense.
- .10 The Town shall inspect the landscaped areas upon written request by the Developer. The request shall be received at least ten (10) days before the anticipated date of inspection.

8.9.0 PLANTING (TREES AND SHRUBS)

8.9.1 Materials

- .1 The Developer shall furnish and plant all plant material agreed to in the Development Agreement. All plant material shall conform to the horticultural standards of the "Canadian Nursery Trades Association".

Minimum planting requirements are specified in Section 8.4.0.

- .2 The Town may request higher levels of plantings depending upon the location and type of development proposed.
- .3 All plants shall be typical of their species or variety and shall have a normal growth habit. They shall be sound, healthy and vigorous, well branched, and densely foliated when in leaf. They shall be free from disease and insect pests, eggs or larvae. They shall have healthy, well- developed root systems.

All plants shall be nursery grown unless specifically authorized to be collected from native stands or established wood lots.

- .4 Substitutions will not be permitted, unless written proof is submitted that specific plants or sizes are unobtainable and such substitutions are acceptable to the Town.
- .5 Bare root (B/R) shrubs shall be dug with adequate fibrous roots retained. The roots of these plants shall be covered with a uniformly thick coating of mud being puddled immediately after they are dug, or packed in moist straw, shingletow or moss.
- .6 Balled and burlapped (B/B) plants shall be dug with firm natural balls of earth of sufficient diameter and depth to include most of the fibrous roots.

- .7 Container growth stock shall have been grown in a container long enough for the root system to have developed sufficient to hold its soil together firm and whole. No plants shall be loose in the container.
- .8 Undersized root systems will be rejected. All plant matter is subject to the approval of the Town.

Plant material shall be delivered to the job site and stored, handled and planted with the producer's label intact. All plant material must be handled in a professional manner. Damaged, sick or diseased plants must be removed from the site immediately and be replaced.
- .9 Tree stakes shall be 2.1 m in length and of the steel U-bar or T-bar type. Tree ties shall be a number ten (10) gauge galvanized wire and shall be inserted into a 200 mm length or 10 mm diameter polythene plastic tubing. Wire for tree guying shall be a double strand of number nine (9) gauge galvanized wire.
- .10 Mulch shall be wood chips, ground bark, bark peelings, peat, hay or straw.
- .11 Arrangements for suitable water shall be undertaken by the Developer.

8.9.2 Site Preparation

- .1 At least 24 hours' notice shall be given to the Town prior to commencement of planting. The Developer shall stake the location of all plantings for approval by the Town Development Officer or their representative.
- .2 Boulevards shall be excavated to its required depth, and made ready to receive topsoil and tree planting.
- .3 No filling of boulevards or medians with topsoil is to commence until tree locations have been approved by the Town Development Officer or their representative.
- .4 The Developer shall be responsible for planting at correct grade and alignment.
- .5 The planting and boulevard construction work may be carried out in phases.

8.9.3 Planting Operations

- .1 Tree pits shall be excavated with vertical sides 300 mm greater in diameter than the ball of earth or spread of roots of the tree and sufficiently deep to allow for a 150 mm layer of the planting mixture beneath the ball or roots.

- .2 Shrubs shall be planted in pits 300 mm greater than the spread of the roots and 450 mm deep below the finished grade, and as necessary to properly set the plant at finished grade.
- .3 The depth of planting beds and pits shall be adjusted to permit a minimum of 225 mm of the planting mixture under balls or roots of all plants.
- .4 If pits are prepared and backfilled with the planting mixture to grade, prior to planting, their location (except in boulevards) shall be marked by 25 mm x 50 mm stakes sticking above grade by 100 mm so that when planting proceeds they can easily be found.

Plants shall be set in the centre of pits, plumb and straight, and at such a level that after settlement the crown of the plant will be 25 mm lower than the surrounding finished grade. No planting, except ground covers, vines and herbaceous plant material, shall be placed closer than 600 mm to the edge of shrub beds, hard surfaces, or building foundations.

- .5 When approximately two-thirds of the plant pit has been backfilled with soil mix, 8-24-24 fertilizer shall be applied at the following rates:

Shade Trees	0.5 kg per 25 mm of calliper
Small Trees	0.25 kg per 25 mm of calliper
Shrubs	0.06 kg per 300 mm of height
Evergreens	0.03 kg per 300 mm of height or spread
Vines, Groundcover, Herbaceous Plants	0.03 kg per plant

The fertilizer shall be distributed evenly over the pit area. The pit shall be filled with water and the soil allowed to settle around the roots.

- .6 When balled and burlapped trees are set, the soil mixture shall be compacted around the base of balls to fill all voids. All burlap, ropes and wires shall then be removed from the tops of the balls.

Roots of bare roots shall be properly spread out and the topsoil mixture carefully worked in among them. Any broken or frayed roots shall be cut off cleanly.

- .7 After the water has been absorbed the plant pit shall be filled with soil mix.

Immediately after the plant mix is backfilled, a shallow basin (approximately 100 mm deep), slightly larger than the pit, shall be formed with a ridge of soil to facilitate watering and water retention.

After the surface is sufficiently dried, the top of the pit shall be spaded to a depth of approximately 25 mm to avoid evaporation.

8.9.4 Staking and Guying

- .1 For Deciduous trees (less than 1.0 m in height) the following procedure will be observed:

Each tree shall be supported with a tree stake. This tree stake will be driven into the ground 450 mm to 600 mm below grade in a vertical position with the open side facing the street and located so that it is between the tree and the curb. Where trees are not adjacent to a street, all stakes are to be placed 150 mm northwest of the tree.

The tree shall be supported with one (1) tree tie. This tie shall be placed around the tree and the stake, as close as possible to the top of the stake, with the tie being below rather than just above a branch.

- .2 For Evergreens less than 2.45 m in height and Deciduous trees greater than 1 m in

height with a calliper less than 75 mm, the following procedure will be observed:

- (a) Each tree shall be supported by two (2) steel U or T-bars driven securely into the ground without injury to the root ball.
- (b) Each tree shall be fastened at the top of the stakes with two (2) ties.

- .3 For guying of deciduous and evergreen trees the following procedure will be observed:

All deciduous trees over 75 mm calliper and all evergreens exceeding 2.45 m height shall be done with three (3) guys, spaced equally about each tree.

Each guy shall be attached to the tree trunk at an angle of 60° at about 3/5 of the height of the tree and anchored at the ground by means of a wooden stake, 50 mm x 50 mm x 450 mm, driven securely into the ground. Trees 4.3 metres in height or greater, or 100 mm calliper or larger, shall be staked with a wooden stake 50 mm x 100 mm x 750 mm in length or 15 mm diameter reinforcing steel bars 760 m long.

8.9.5 Pruning

- .1 All plants shall be pruned after planting. The amount of pruning shall be limited to the minimum necessary to remove dead or injured branches and to compensate for the loss of roots as a result of the transplanting operations. Pruning shall be done in such a manner as to preserve the natural character of the plants. Leaders shall not be removed. Only clean sharp tools shall be used. All cuts shall be clean and flush, leaving no stubs.

Cuts, bruises or scars on the bark shall be traced back to living tissue and removed. The affected areas shall be shaped so as not to retain water, and all treated areas shall be painted with an approved tree paint.

8.9.6 Digging of Plants

- .1 All plants shall be dug and delivered to the site as specified on the Plant list and approved landscape plan.
- .2 Plants specified "B/R" shall be moved with bare roots. They shall be dug and moved while dormant, with the major portion of the fibrous root system provided. Immediately after digging, the root system shall be wrapped or puddled and shall be kept moist to prevent drying out until planted on the site.
- .3 All plants specified "B/B" shall be moved with solid balls wrapped in burlap.
- .4 No plants shall be used when the ball of earth surrounding the roots has been cracked or broken preparatory to or during the process of planting, or when the burlap, staves and ropes, required in connection with their transplanting, have been removed.
- .5 The sizes of roots balls for trees shall be as specified below. Ball sizes are minimum and shall be adjusted according to growth habits or plants. At any rate ball sizes shall be sufficiently large to contain at least 75% of the fibrous root system.

Deciduous Trees		
Root mm	Root Ball Diameter mm	Machine Ball Diameter mm
24 - 45	610	
50	760	1110
75	915	1420
100	1065	1675
125	1370	1675
150	1470	2336
200	1825	2236
250	2285	2336

Note: Deciduous Trees larger than 75 mm calliper shall be moved by machine (spade).

Coniferous Trees		
Height mm	Root Ball Diameter mm	Machine Ball Diameter mm
1.75 - 2.00	915	1110
2.00 - 2.25	1065	1420
2.25 - 2.50	1220	1420
2.50 - 2.75	1370	1675

For deciduous trees with a calliper of more than 250 mm and for coniferous trees over 2.75 m in height, root ball diameter shall be increased 150 mm for every additional 25 mm in calliper, or every 300 mm in height.

Note: Coniferous trees larger than 2.75 m in height shall be machine moved with a 2300 mm diameter or larger spade.

- .6 All plant materials shall conform to the measurement specified in the Plant List and landscape plan. Plants larger than specified may be used if approved by the Town. If larger plants are used, the ball of earth shall be increased in proportion to the size of the plant.
- .7 All plants shall be measured when the branches are in their normal position. Height and spread dimensions specified refer to the main body of the plant and not from branch tip to root base or from branch tip to branch tip. Where trees are measured by calliper reference is made to the diameter of the trunk measured 300 mm above ground as the tree stands in the nursery.

8.9.7 Maintenance

- .1 Maintenance of trees shall include protective or preventative spraying when required; watering to maintain soil moisture; weed removal; replacement and repair of mulch; pruning; resetting to proper grade position of settled plants; planting saucer repair; and removal and replacement of dead plants.
- .2 Defective work shall be corrected as soon as possible after it becomes apparent and weather and season permits. Upon completion of planting, and prior to construction completion, excess soil and debris shall be removed from the site and any damage to structures, etc., resulting from planting operations shall be repaired.

8.9.8 Guarantee Period

- .1 The maintenance period for all planted material shall be two (2) years from the date of issuance of a Completion Certificate.
- .2 Any plant that is dead, not true to name or size as specified, or not in satisfactory growth, as determined by the Town shall be removed from the site. In case of any question regarding the condition and satisfactory establishment of a rejected plant, the Developer may elect to allow such a plant to remain through another complete growing season at which time the rejected plant, if found to be dead, or in an unhealthy or badly impaired condition, shall be replaced by the Developer.

8.10.0 UNIFORM FENCING

- .1 Uniform wood fencing shall be constructed in accordance with Std. Dwg. No. L1 or as approved by the Town. Colour of stain shall be approved by the Town.
- .2 Chain link fencing and gates shall be constructed in accordance with Standard Drawing L2.

- .3 Uniform fencing shall be constructed adjacent to and at the following locations:
- a) Arterial Roadways
 - b) Parks and Playfields
 - c) Public Walkways and Utility Lots
 - d) School Sites
 - e) Town owned lands - e.g. Firehall sites etc.
 - f) Multiple Family Sites
 - g) Neighbourhood Commercial Sites
 - h) Institutional Sites and
 - i) Other areas as required by the Town.

Wooden fencing shall be installed where residential property adjoins the above mentioned facilities. The Town may approve chain link fencing where facilities such as playgrounds, parks or school sites are adjacent to arterial roadways.

- .4 Gates shall be installed on all residential lots which back onto a public park. Gates shall be located approximately at the mid-point of each lot and shall be constructed to open inwards onto the private property.

8.10.1 Maintenance Period

- .1 The applicant shall be responsible for, and at his own expense to remedy, any defect, fault or deficiency in the completed works during a twenty-four (24) month maintenance period.

8.11.0 TURF IRRIGATION

8.11.1 General

- .1 All Public Lands and MR space; such as, parks, storm water management facilities, medians and/or boulevards shall be provided with an appropriate turf irrigation system to the satisfaction of the Town. No Irrigation works shall commence until approved by the Town's Development Officer.
- a) Turf irrigation systems shall not be installed below the high water level of storm water management facilities. All plant material below HWL shall require minimal maintenance.
 - b) Irrigation shall be provided for all parkland seed and sod areas; and for every plant bed and tree. Drip and bubbler systems shall be utilized for trees and shrubs located within planting beds.

8.11.2 Water Service Requirements

- .1 Park water service, required for turf irrigation, to be identified on the landscaping and water service plans for the development.
- .2 The park water service size will be dependent on site turf irrigation requirements. The minimum permitted water service size shall be 50mm. If necessary, a booster pump station shall be required to ensure a maximum watering window of 4 hours in not exceeded to operate the water schedule.
- .3 Water service to be located at property line in accordance with Section 6, Sewer and Water Service Connections.
- .4 Water service shall require backflow prevention equipment.

8.11.3 Irrigation System Requirements

- .1 Materials and installation shall conform to all Federal, Provincial and Local Codes and Regulatory requirements. The Contractor shall obtain all necessary permits required for this work.
- .2 Irrigation systems shall be designed to minimize the number or sprinklers and zones required.
- .3 Systems under 1.5 Ha. shall be designed to operate between 40 psi and 48psi maximum without the need for a booster pump station.
- .4 System shall be designed complete with all necessary sprinkler heads; quick coupling valves; isolation valves; drain valves; reach wells and valve boxes; remote control valves; automatic irrigation controllers and enclosures; and wire splice kits.
- .5 All irrigation products for a project site to be from one manufacturer only, unless approved otherwise.
- .6 Sprinklers heads adjacent to roadways and pathways (asphalt or gravel) to have stainless steel riser sleeves.
- .7 Minimum PVC pipe sizes for design flow through lateral pipe:

38 mm (1.5")	up to	30 USgpm
50 mm (2")	up to	55 USgpm
63 mm (2.5")	up to	90 USgpm
75 mm (3")	up to	125 USgpm
100mm (4")	up to	210 USgpm
- .8 Piping sleeves shall be installed at all roadway and pathway crossings.

8.11.4 Maintenance and Warranty

- .1 At the completion of the project the Contractor shall provide complete record drawings and two (2) copies of an operating and maintenance manual.
- .2 The Contractor shall be responsible for the initial winterization of the system and start-up of the system the following spring, including all necessary adjustments, cleaning and repairs. On sites where the project is an addition or alteration to an existing sprinkler system, the Owner will assist the Contractor with the winterizing and start-up the irrigation system.
- .3 The maintenance period for all turf irrigation systems shall be two (2) years from the date of issuance of a Completion Certificate. The developer/applicant shall be responsible for, and at his own expense to remedy, any defect, fault or deficiency in the completed works during the maintenance period.

END OF SECTION 8

All franchise utilities installed in residential subdivisions shall be underground.

9.1.0 GAS SERVICE

9.1.1 General

- .1 Natural Gas service is provided under Franchise Agreement by ATCO Natural Gas Ltd.

9.1.2 Rights-of-Way

- .1 Where required, the Developer shall provide rights-of-way and easements of sufficient size and location to satisfy the gas company. Refer to St. Dwg. No's T2 and T3 for preferred locations.
- .2 All easements shall be registered in the name of Town of Claresholm.

9.1.3 Installation

- .1 The Developer and ATCO Natural Gas Ltd. shall obtain Town approval for the method installation including excavation and backfilling requirements.
- .2 The Developer shall co-ordinate the location of gas services to ensure that they do not interfere with other utilities.
- .3 Where gas distribution is installed at the front of lots, gas service to individual lots shall be installed such that the gas meter can be placed at the side or the rear of the dwelling. Where gas meters are placed at the side of the dwelling unit, the gas meter shall be placed on the side of the dwelling opposite the driveway. Gas meters shall not be permitted at the front of the dwelling unit.

9.1.4 Costs

- .1 Any capital contribution that the utility company may charge for installation of gas services shall be paid by the Developer.

9.2.0 TELEPHONE SERVICE

9.2.1 General

- .1 Telephone services to be installed for Telus shall be underground.
- .2 Telephone cable to be located in the same trench as power.

9.2.2 Rights-of-Way

- .1 Where required, the Developer shall provide rights-of-way and easements of sufficient size and location to satisfy the telephone company.
- .2 All easements shall be registered in the name of the Town of Claresholm.

9.2.3 Installation

- .1 The Developer and the telephone company shall determine the method and by whom the trenches for telephone cables shall be dug and compacted.
- .2 The Developer shall co-ordinate the location of telephone service boxes to ensure that they do not conflict with driveways or interfere with other utilities. Alignments to be approved by the Town Engineer.
- .3 Service pedestals to be located on the intersection of lot lines where possible.

9.2.4 Costs

- .1 Any capital contribution that the utility company may charge for installation of telephone services, shall be paid by the Developer.

9.3.0 ELECTRIC POWER SERVICE

9.3.1 General

- .1 Electrical power services are provided under Franchise Agreement by Fortis Alberta.
- .2 Power services to be installed for Fortis Alberta and shall be underground. Power, telephone and Cable T.V. shall run in a common trench.

9.3.2 Rights-of-Way

- .1 Where required, the Developer shall provide rights-of-way and easements of sufficient size and location to satisfy Fortis Alberta.
- .2 All easements shall be registered in the name of the Town of Claresholm.
- .3 See Std. Dwg. No's T2 and T3 for preferred alignments in road right-of-ways.

9.3.3 Installation

- .1 The Developer and Fortis Alberta shall obtain Town approval for the method of installation including excavation and backfilling requirements.

- .2 The Developer shall co-ordinate the location of power service boxes and transformers to ensure that they do not conflict with driveways or interfere with other utilities. Alignments to be approved by the Town Engineer.

9.3.4 Costs

- .1 Any capital contribution that the utility company may charge for installation of electrical services, shall be paid by the Developer.

9.4.0 TELEVISION CABLE

9.4.1 General

- .1 Television cable services are supplied by the television cable company.
- .2 Power, telephone and Cable T.V. shall run in a common trench
- .3 All easements shall be registered in the name of the Town of Claresholm.

9.4.2 Rights-of-Way

- .1 Where required, the Developer shall provide rights-of-way and easements of sufficient size and location to satisfy the television cable company.
- .2 See Std. Dwg. No's T2 and T3 for preferred alignments in road rights-of-ways.

9.4.3 Installation

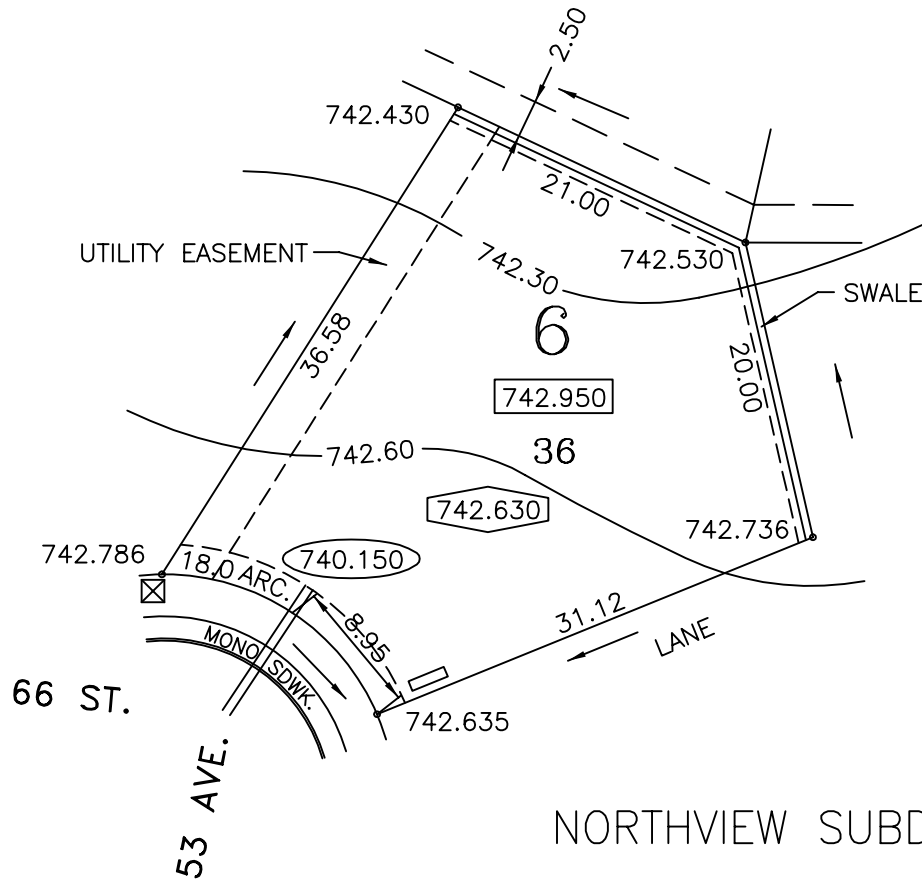
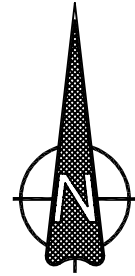
- .1 The Developer and the television cable company shall obtain Town approval for the method of installation including excavation and backfill requirements.
- .2 The Developer shall co-ordinate the location of television cable services to ensure that they do not interfere with the other utilities. Alignments to be approved by the Town Engineer.

9.4.4 Costs

- .1 Any capital contribution that the utility company may charge for installation of television cable services shall be paid by the Developer.

END OF SECTION 9

LOT 36
 BLOCK 6
 PLAN 832-2553
 EASEMENT PLAN 832-2554

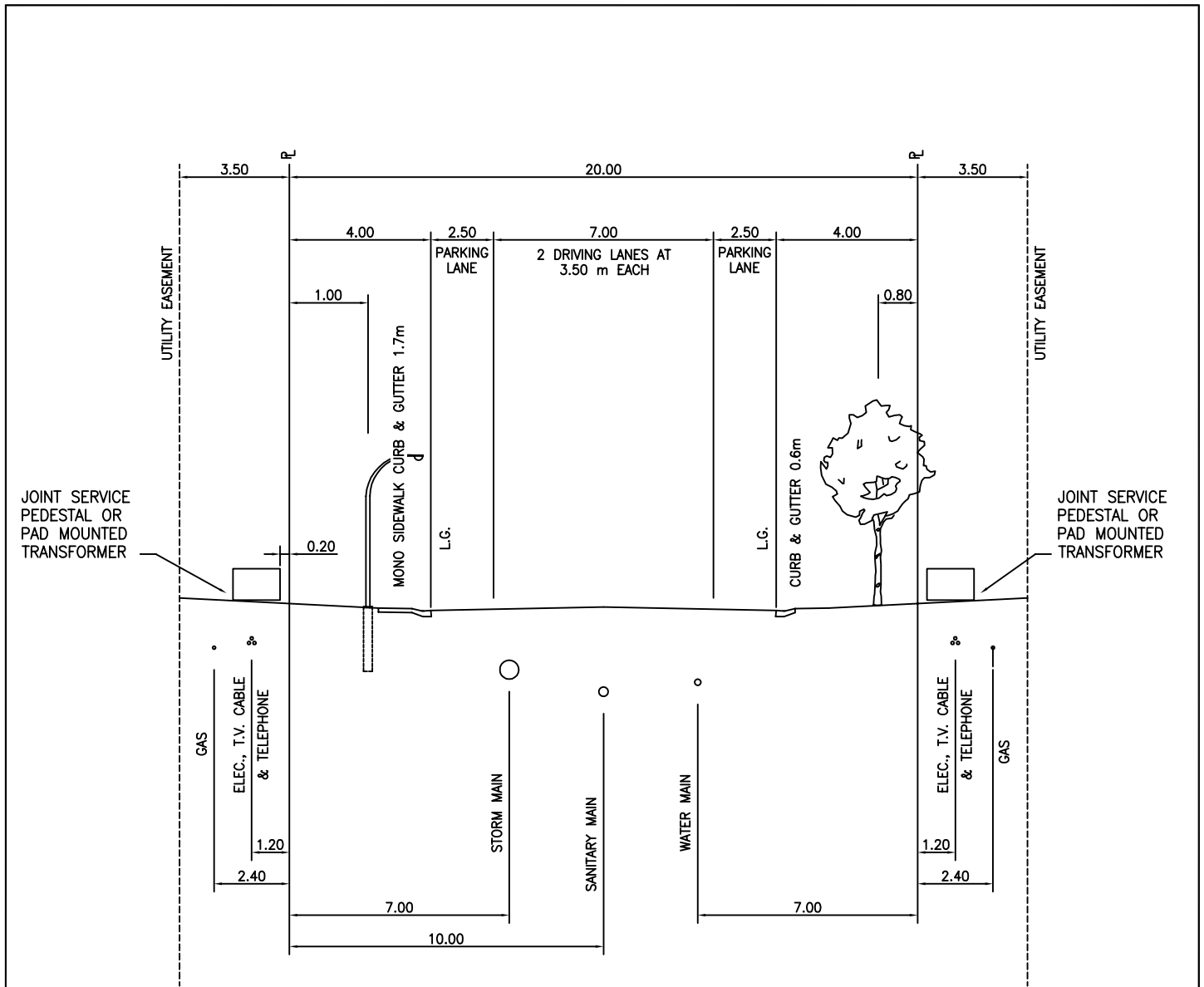


NORTHVIEW SUBDIVISION

LEGEND

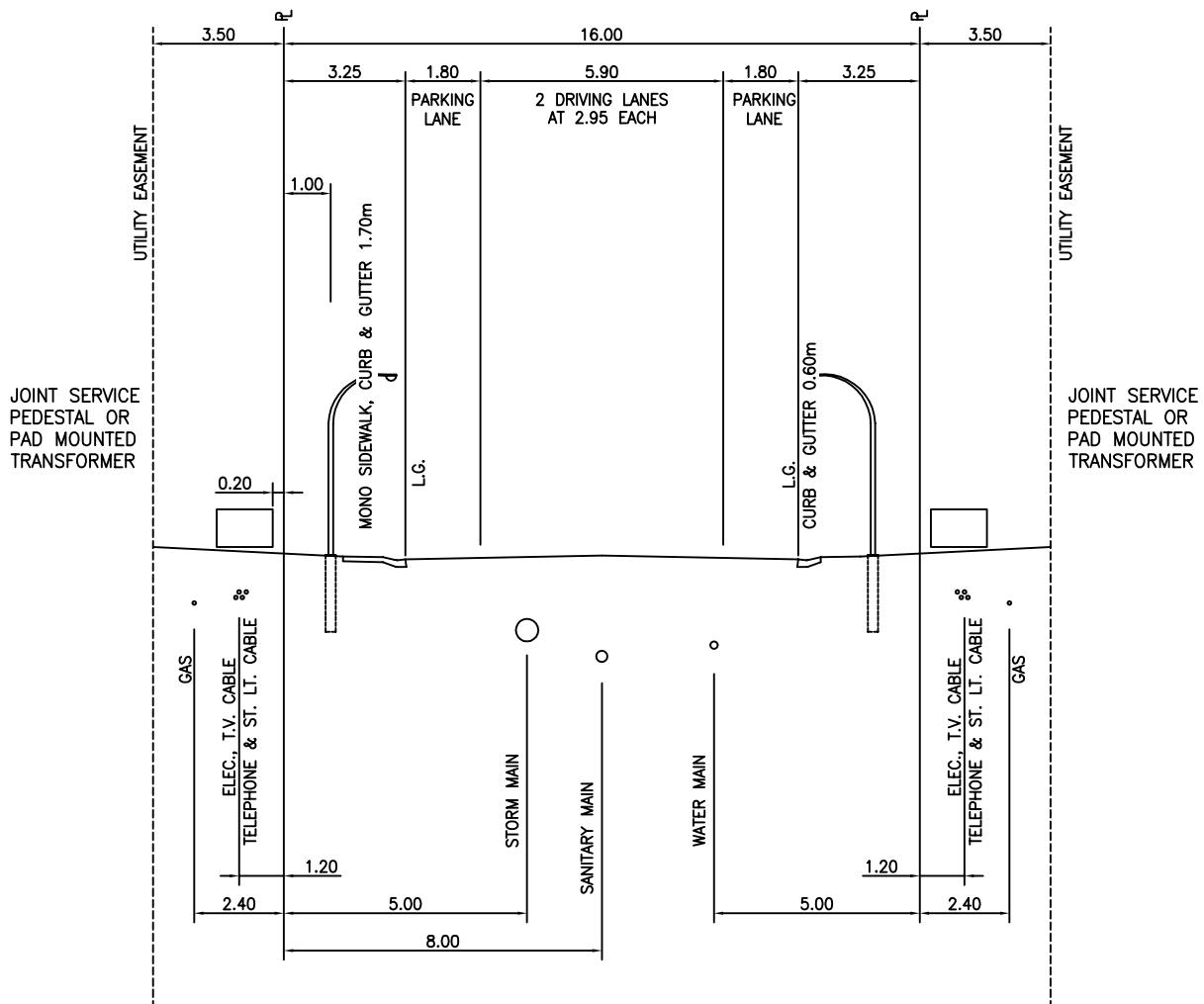
LOWEST TOP OF FOOTING		DESIGN LOT CORNER ELEVATIONS	742.500
SANITARY INVERT 4m INTO LOT		IRON PINS	•
DESIGN LOT GRADE @ BUILDING		DIRECTION OF DRAINAGE	→
CONTOUR ORIGINAL GROUND		FIRE HYDRANT	
BLOCK NUMBER	6	CATCHBASIN	
LOT NUMBER	36	LIGHT STANDARD	
EASEMENT BOUNDARY	---	POWER / TELEPHONE PEDESTAL OR TRANSFORMER	
DRIVEWAY LOCATION			

REVISIONS			Town of Claresholm	
Date	Details	Approved	BUILDING GRADE PLAN	
			SCALE: 1:500	T01
			DATE: September, 2007	



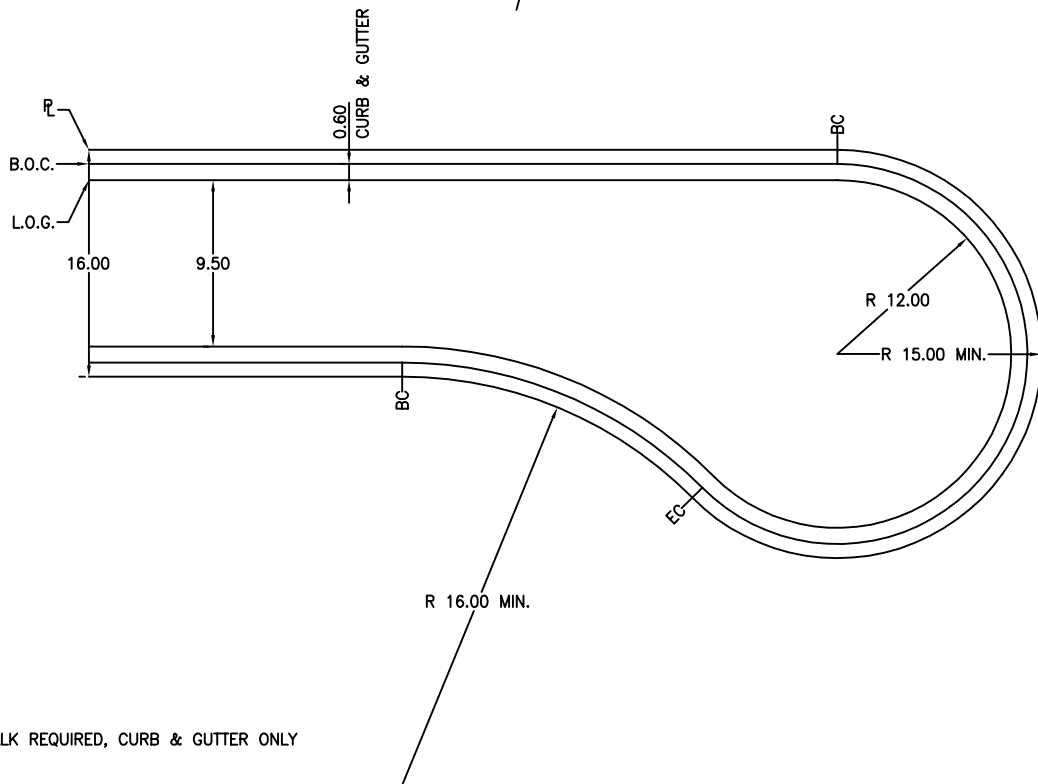
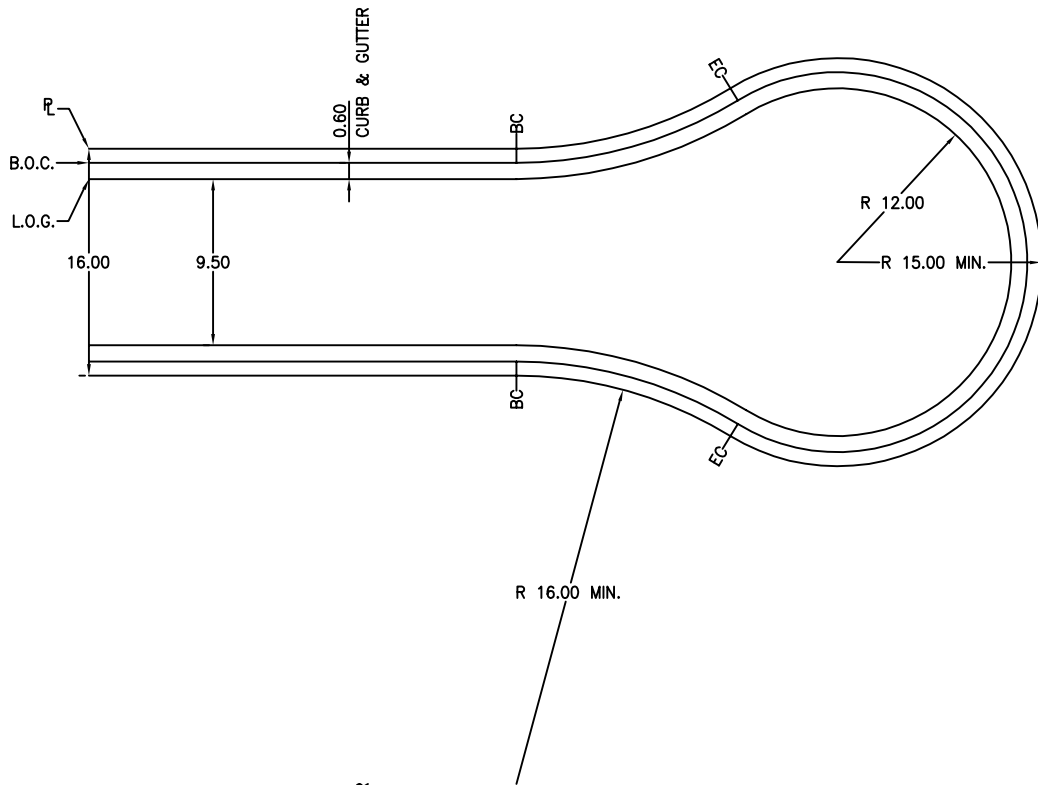
- NOTE:
- HYDRANT ON 0.30 LINE.
 - HYDRANT VALVES ON 0.75m FROM MAIN.
 - TREES ON 0.80 LINE.
 - POWER POLES, STREET LIGHT POLES, TRANSFORMER BOXES AND ALL OTHER SURFACE STRUCTURES SHALL MAINTAIN A MIN. OF 3.0 m CLEARANCE FROM ANY HYDRANT.
 - ALL TREES SHALL BE SHALLOW ROOT SPECIES.

REVISIONS			Town of Claresholm	
Date	Details	Approved	RESIDENTIAL COLLECTOR	
			APPROVED: I.D.C.	STD. DWG. No.
			SCALE: NTS	T02
			DATE: September, 2007	



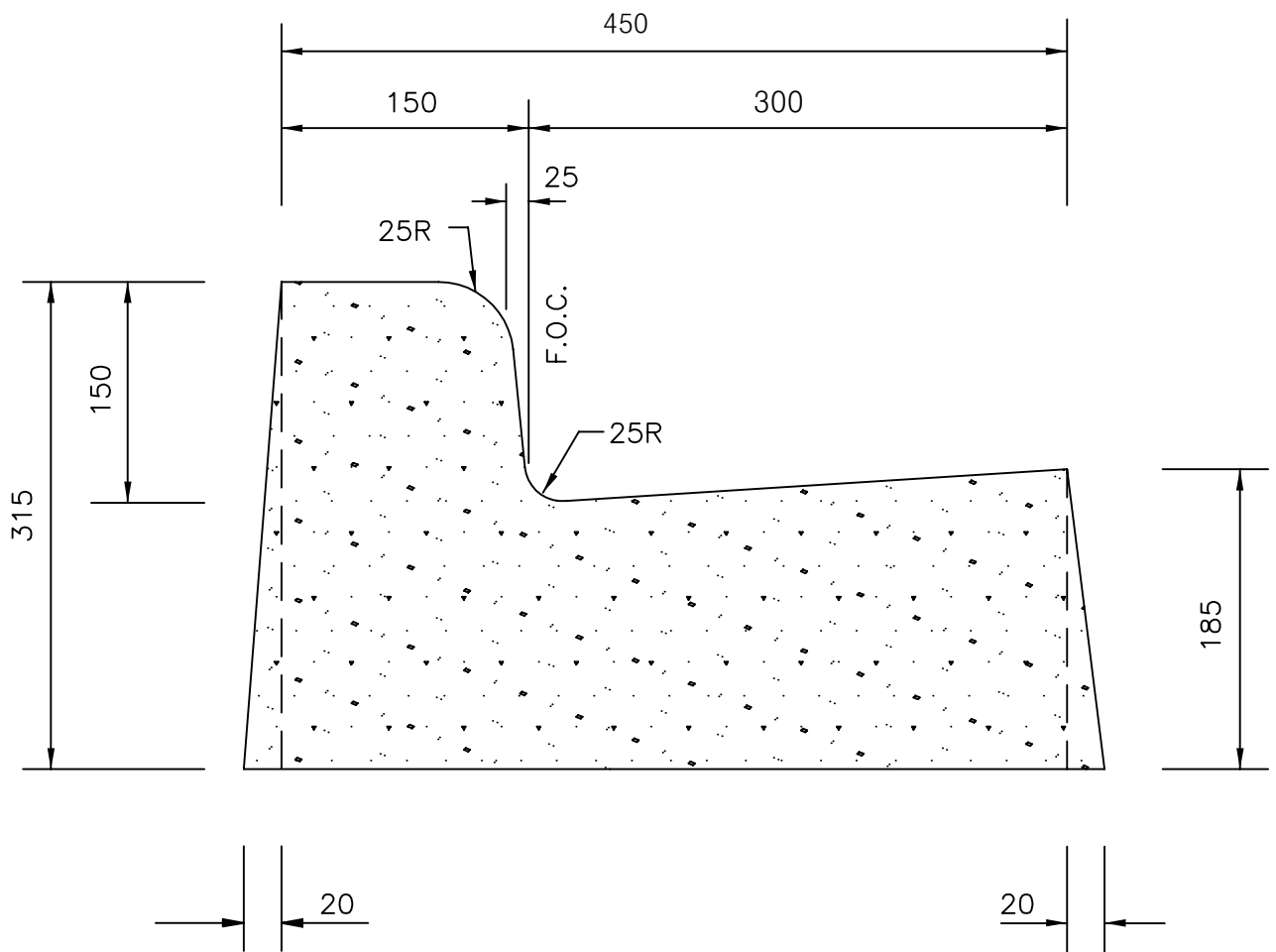
- NOTE:
- HYDRANT ON 0.30 LINE.
 - HYDRANT VALVES 0.75m FROM MAIN.
 - POWER POLES, STREET LIGHT POLES, TRANSFORMER BOXES AND ALL OTHER SURFACE STRUCTURES SHALL MAINTAIN A MIN. OF 3.0 m CLEARANCE FROM ANY HYDRANT.
 - MONOLITHIC SIDEWALK, CURB & GUTTER ONE SIDE ONLY.

REVISIONS			Town of Claresholm	
Date	Details	Approved		
			LOCAL RESIDENTIAL	
			APPROVED: I.D.C.	STD. DWG. No.
			SCALE: NTS	T03
			DATE: September, 2007	

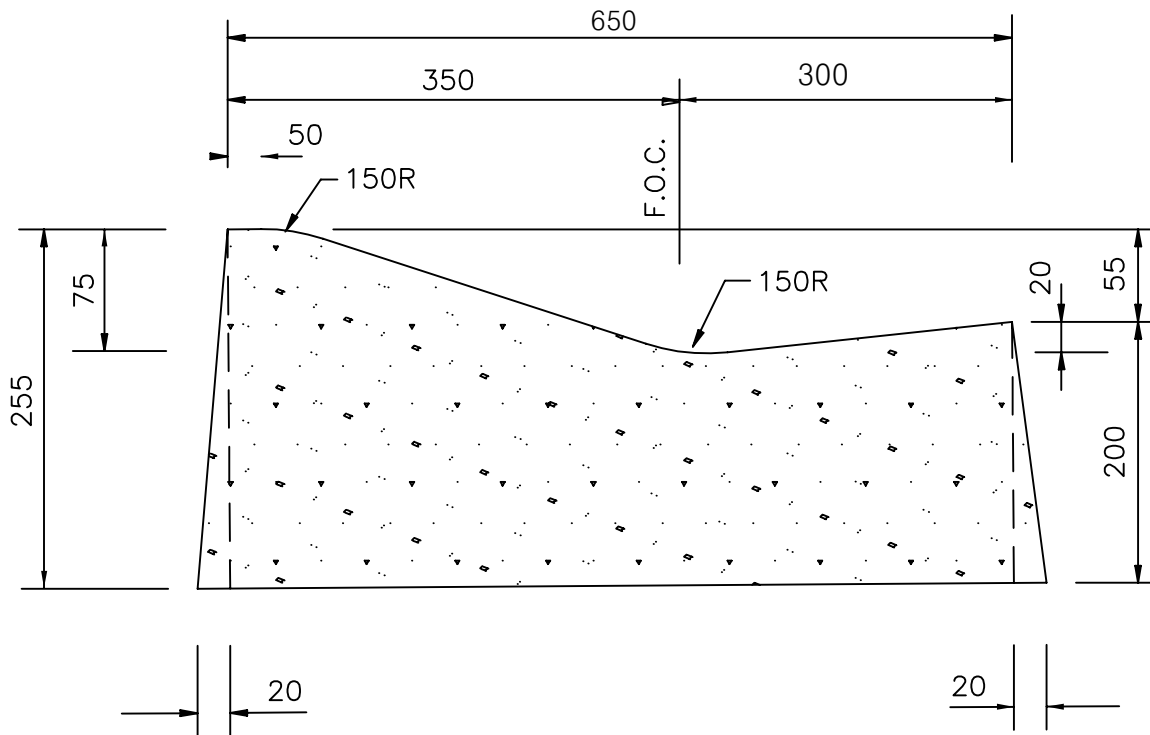


NOTE: NO SIDEWALK REQUIRED, CURB & GUTTER ONLY

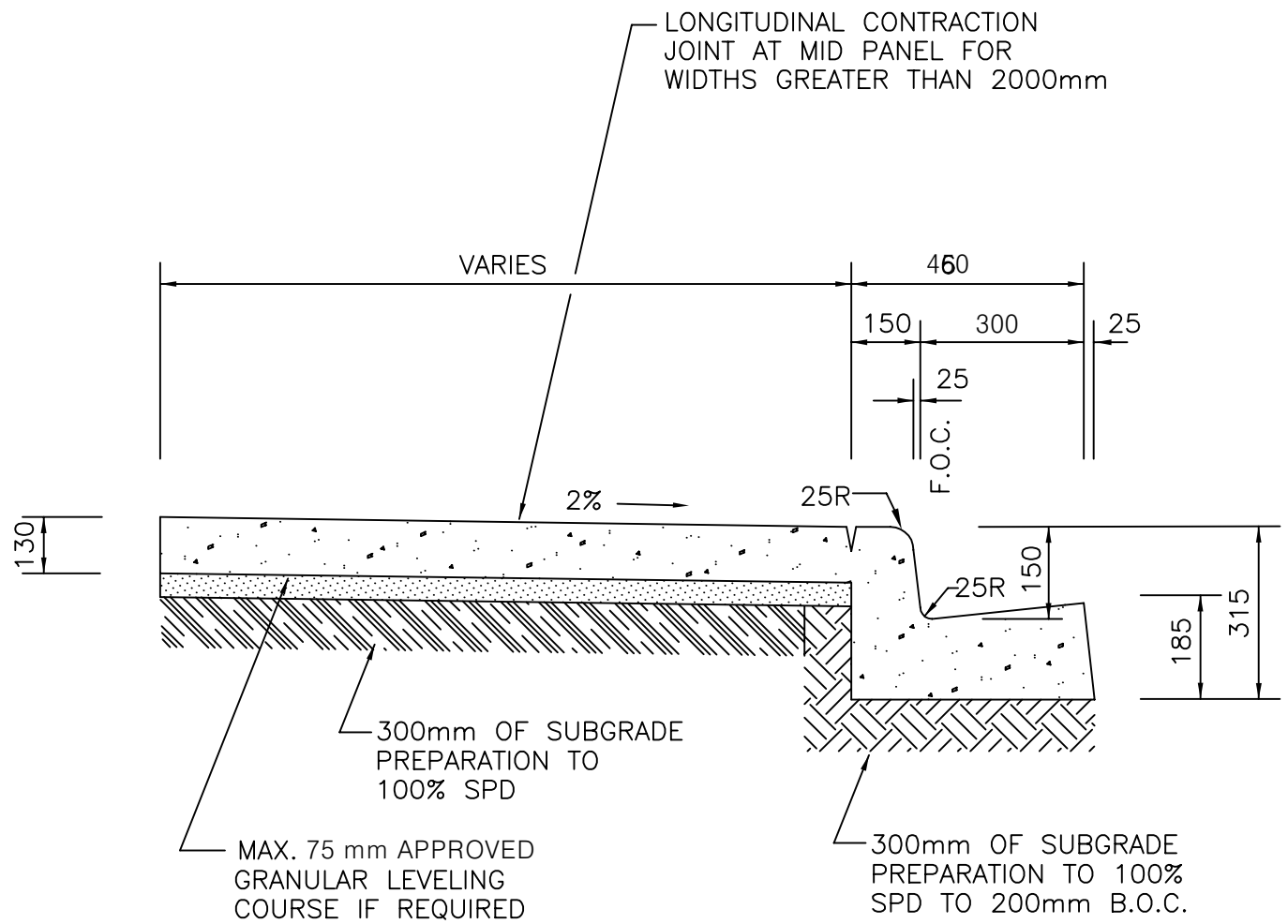
REVISIONS			Town of Claresholm	
Date	Details	Approved		
			CUL DE SAC BULB	
			APPROVED: I.D.C.	STD. DWG. No.
			SCALE: NTS	T04
			DATE: September, 2007	



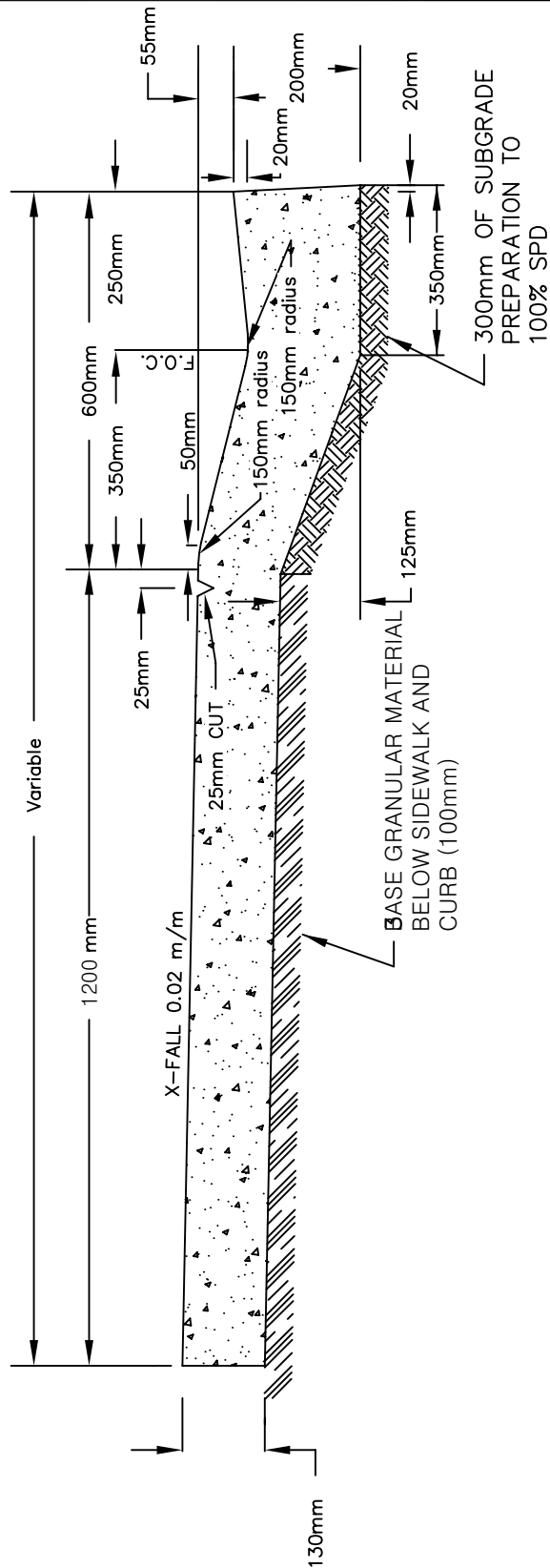
REVISIONS			Town of Claresholm	
Date	Details	Approved	VERTICAL FACE CURB & GUTTER	
			APPROVED: I.D.C.	STD. DWG. No.
			SCALE: NTS	T5
			DATE: September, 2007	



REVISIONS			Town of Claresholm LOW PROFILE ROLLED CURB AND GUTTER	
Date	Details	Approved		
			APPROVED: I.D.C.	STD. DWG. No.
			SCALE: N.T.S.	T6
			DATE: September, 2007	

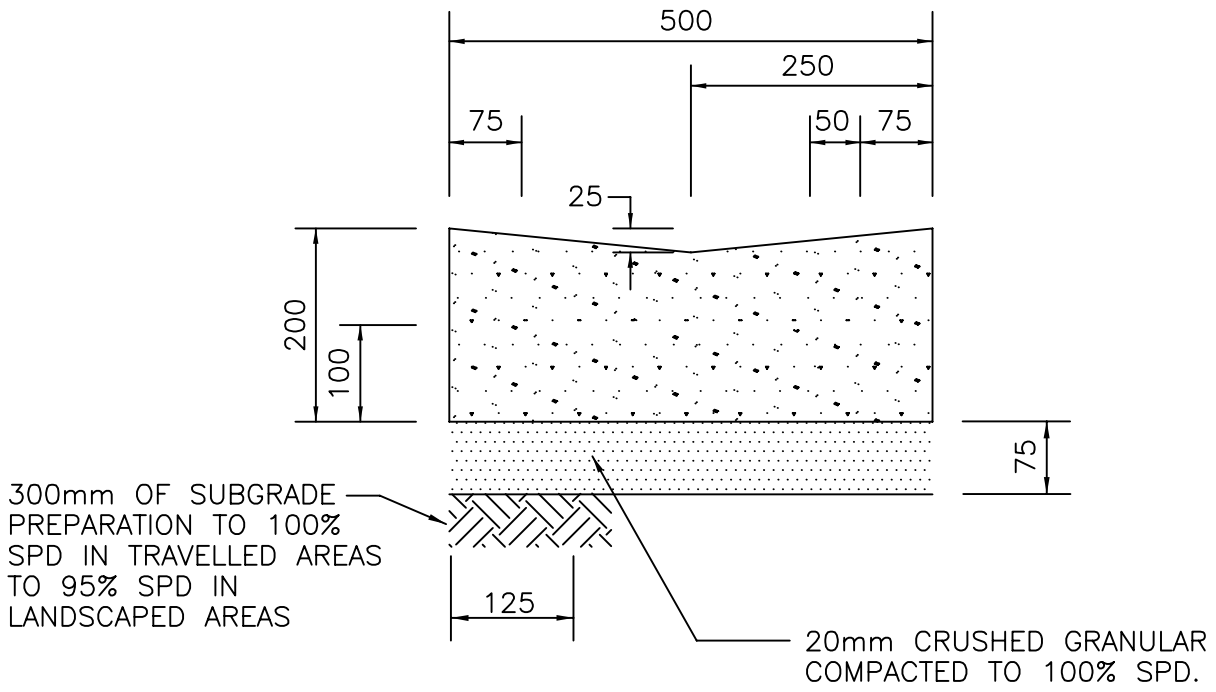


REVISIONS			Town of Claresholm		
Date	Details	Approved			VERTICAL FACE MONOLITHIC SIDEWALK
			APPROVED: I.D.C.		
			SCALE: N.T.S.		T7
			DATE: September, 2007		

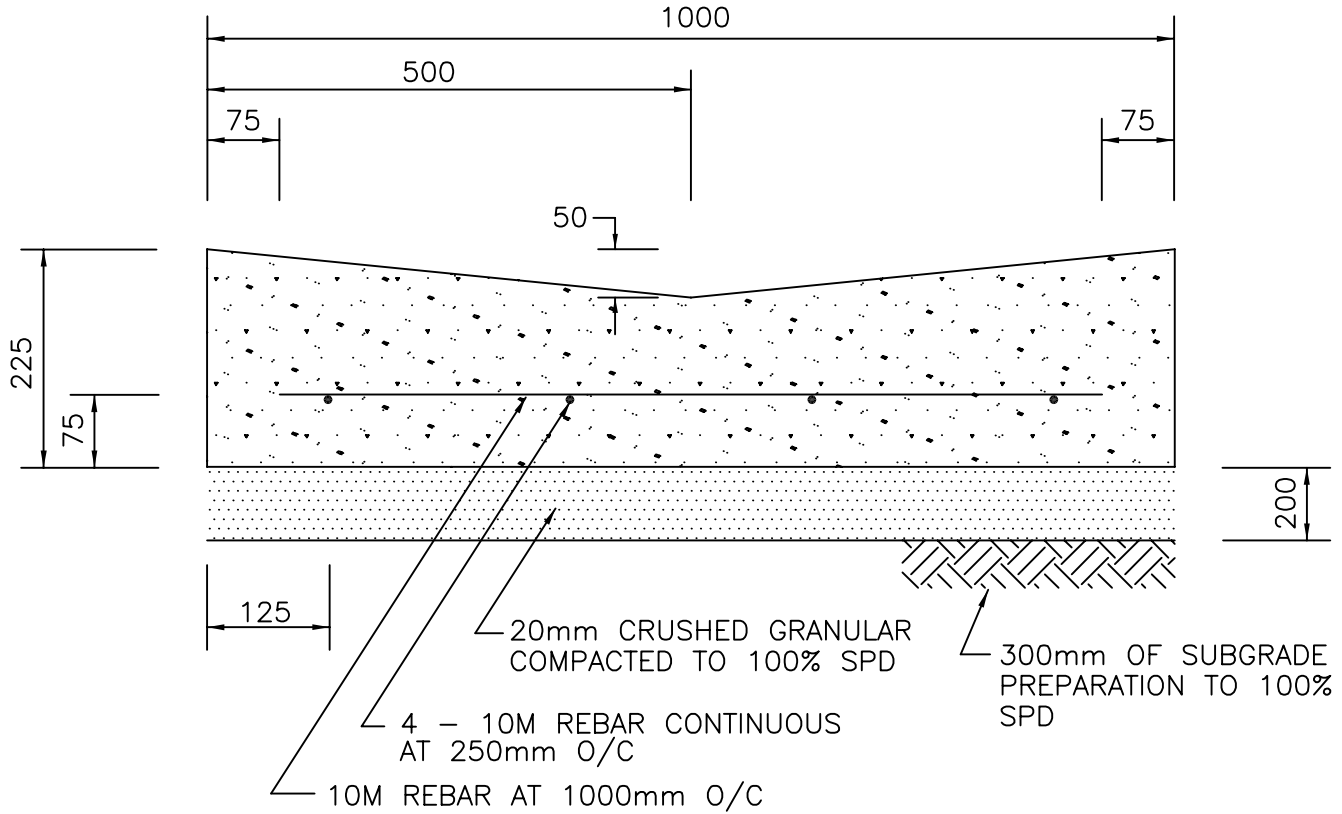


1.5m SIDEWALK MAY BE REQUIRED IN HIGH PEDESTRIAN TRAFFIC AREAS

REVISIONS			Town of Claresholm LOW PROFILE ROLLED MONOLITHIC SIDEWALK	
Date	Details	Approved		
			APPROVED: I.D.C.	STD. DWG. No.
			SCALE: N.T.S.	T8
			DATE: September, 2007	

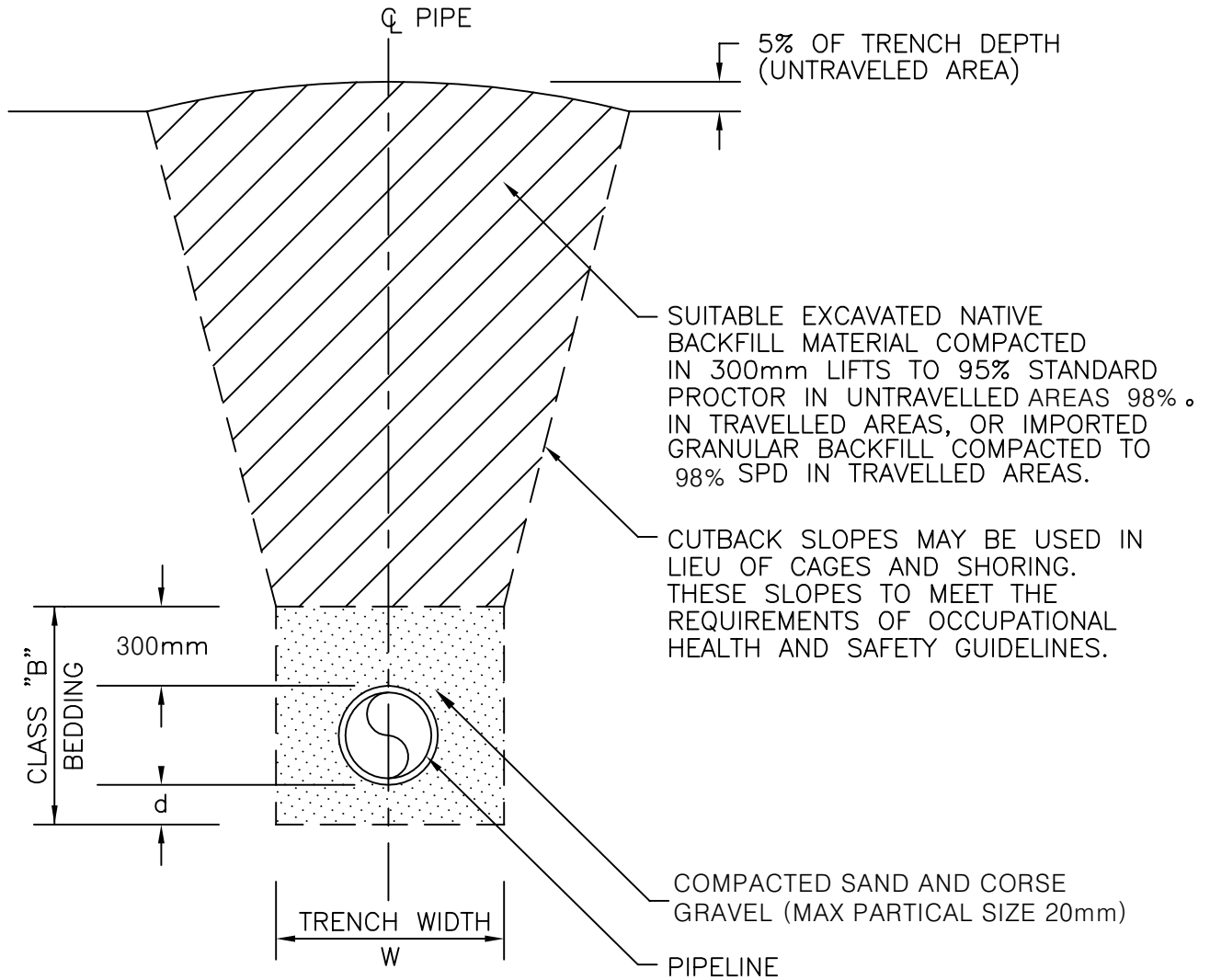


500mm CONCRETE SWALE (BACK OF LOTS)



1000mm CONCRETE SWALE (ROAD X-INGS)

REVISIONS			Town of Claresholm	
Date	Details	Approved	Concrete Swales	
			APPROVED: I.D.C.	STD. DWG. No.
			SCALE: N.T.S.	T10
			DATE: September, 2007	



SUITABLE EXCAVATED NATIVE BACKFILL MATERIAL COMPACTED IN 300mm LIFTS TO 95% STANDARD PROCTOR IN UNTRAVELLED AREAS 98% IN TRAVELLED AREAS, OR IMPORTED GRANULAR BACKFILL COMPACTED TO 98% SPD IN TRAVELLED AREAS.

CUTBACK SLOPES MAY BE USED IN LIEU OF CAGES AND SHORING. THESE SLOPES TO MEET THE REQUIREMENTS OF OCCUPATIONAL HEALTH AND SAFETY GUIDELINES.

COMPACTED SAND AND COARSE GRAVEL (MAX PARTICAL SIZE 20mm)

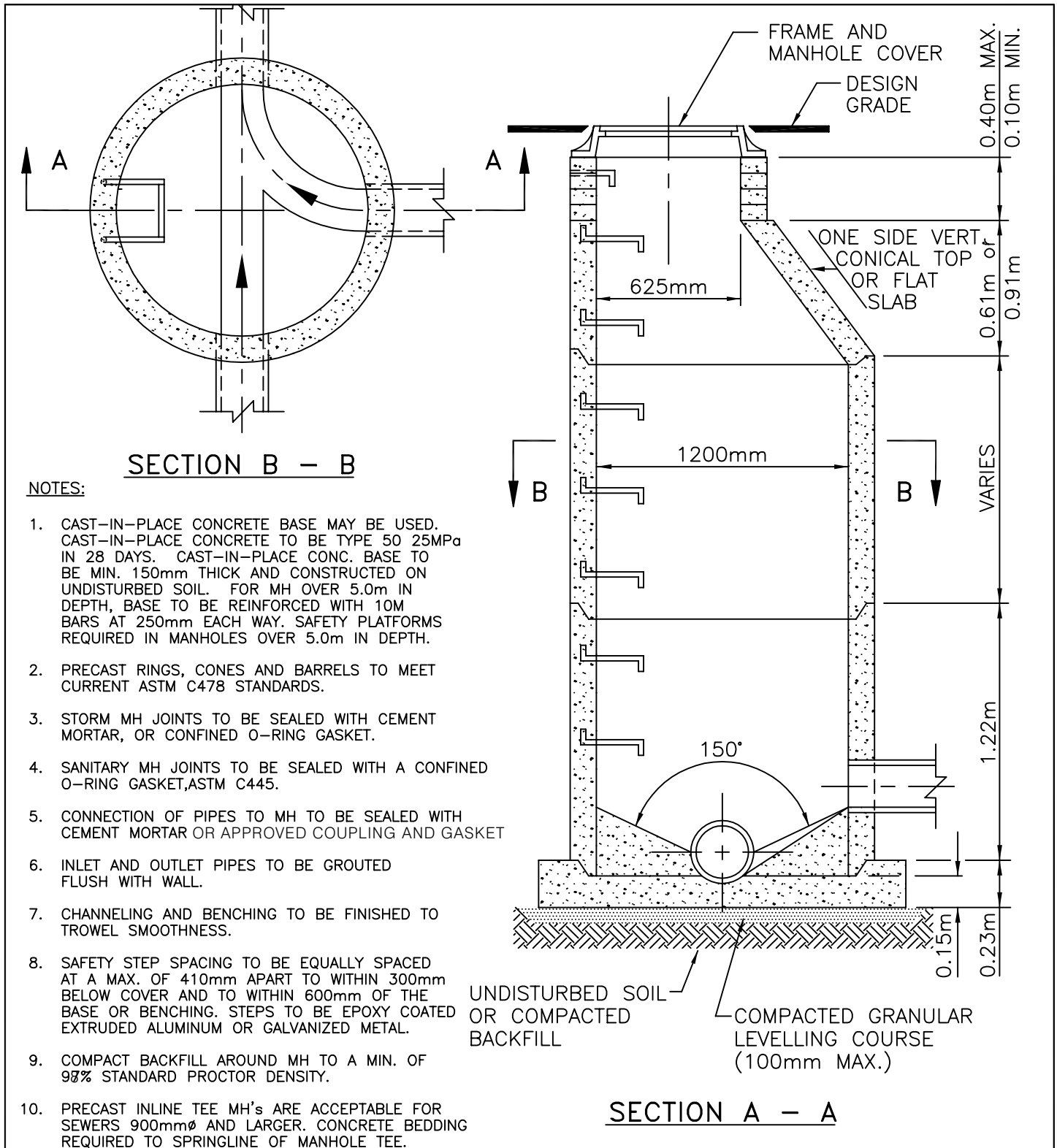
PIPELINE

W = MINIMUM TRENCH WIDTH
 = O.D. + 450mm
 O.D. = OUTSIDE PIPE DIAMETER
 I.D. = INSIDE PIPE DIAMETER

d = DEPTH OF BEDDING BELOW PIPE

O.D. = 1200mm OR SMALLER : d MINIMUM = 100mm
 O.D. = LARGER THAN 1200mm : d MINIMUM = 150mm

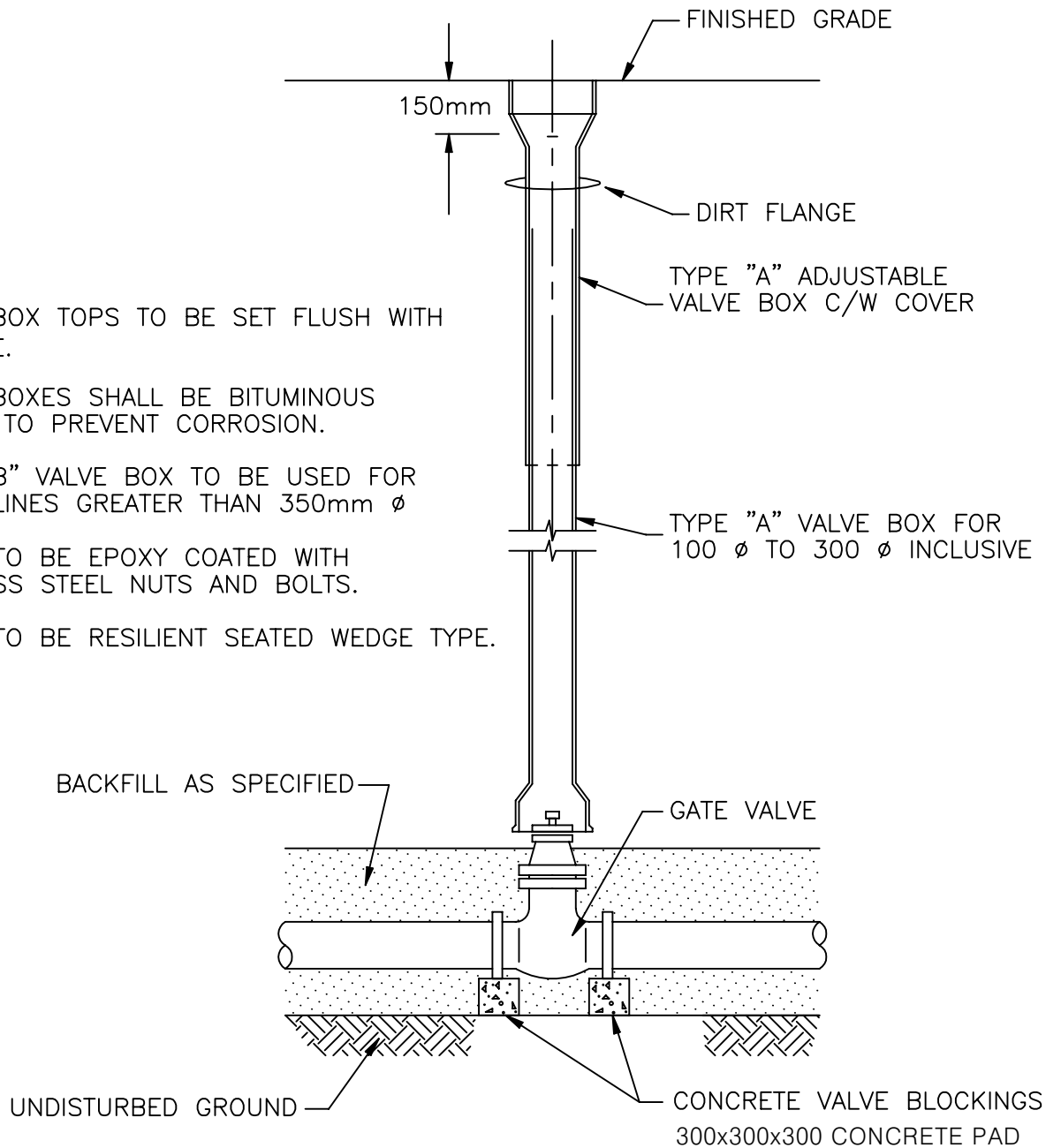
REVISIONS			Town of Claresholm	
Date	Details	Approved	TRENCHING DETAIL	
			APPROVED: I.D.C.	STD. DWG. No.
			SCALE: N.T.S.	U1
			DATE: September, 2007	



NOTES:

1. CAST-IN-PLACE CONCRETE BASE MAY BE USED. CAST-IN-PLACE CONCRETE TO BE TYPE 50 25MPa IN 28 DAYS. CAST-IN-PLACE CONC. BASE TO BE MIN. 150mm THICK AND CONSTRUCTED ON UNDISTURBED SOIL. FOR MH OVER 5.0m IN DEPTH, BASE TO BE REINFORCED WITH 10M BARS AT 250mm EACH WAY. SAFETY PLATFORMS REQUIRED IN MANHOLES OVER 5.0m IN DEPTH.
2. PRECAST RINGS, CONES AND BARRELS TO MEET CURRENT ASTM C478 STANDARDS.
3. STORM MH JOINTS TO BE SEALED WITH CEMENT MORTAR, OR CONFINED O-RING GASKET.
4. SANITARY MH JOINTS TO BE SEALED WITH A CONFINED O-RING GASKET, ASTM C445.
5. CONNECTION OF PIPES TO MH TO BE SEALED WITH CEMENT MORTAR OR APPROVED COUPLING AND GASKET
6. INLET AND OUTLET PIPES TO BE GROUTED FLUSH WITH WALL.
7. CHANNELING AND BENCHING TO BE FINISHED TO TROWEL SMOOTHNESS.
8. SAFETY STEP SPACING TO BE EQUALLY SPACED AT A MAX. OF 410mm APART TO WITHIN 300mm BELOW COVER AND TO WITHIN 600mm OF THE BASE OR BENCHING. STEPS TO BE EPOXY COATED EXTRUDED ALUMINUM OR GALVANIZED METAL.
9. COMPACT BACKFILL AROUND MH TO A MIN. OF 98% STANDARD PROCTOR DENSITY.
10. PRECAST INLINE TEE MH'S ARE ACCEPTABLE FOR SEWERS 900mmØ AND LARGER. CONCRETE BEDDING REQUIRED TO SPRINGLINE OF MANHOLE TEE.

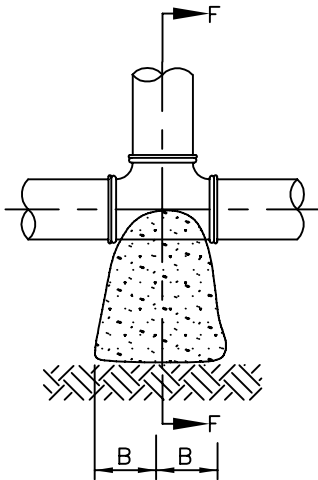
REVISIONS			Town of Claresholm	
Date	Details	Approved	STANDARD 1200 mm MANHOLE	
			APPROVED: I.D.C.	STD. DWG. No.
			SCALE: N.T.S.	U2
			DATE: September, 2007	



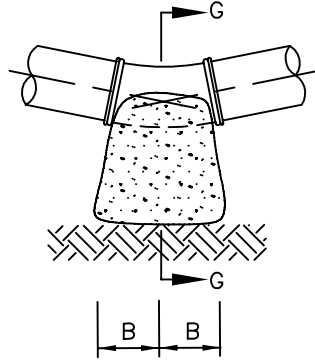
NOTES:

- (1) VALVE BOX TOPS TO BE SET FLUSH WITH SURFACE.
- (2) VALVE BOXES SHALL BE BITUMINOUS COATED TO PREVENT CORROSION.
- (3) TYPE "B" VALVE BOX TO BE USED FOR WATER LINES GREATER THAN 350mm ϕ
- (4) VALVE TO BE EPOXY COATED WITH STAINLESS STEEL NUTS AND BOLTS.
- (5) VALVE TO BE RESILIENT SEATED WEDGE TYPE.

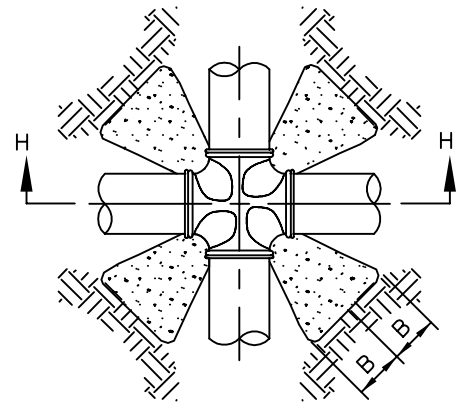
REVISIONS			Town of Claresholm 100 mm to 200mm VALVE DETAIL	
Date	Details	Approved		
			APPROVED: I.D.C.	STD. DWG. No.
			SCALE: N.T.S.	U3
			DATE: September, 2007	



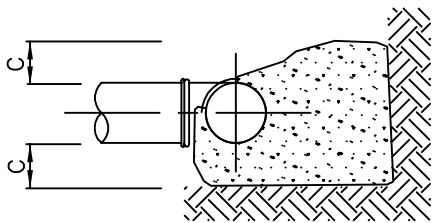
TEE & DEAD END CONNECTION



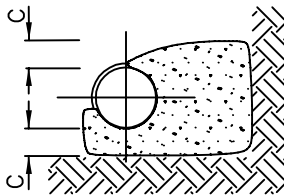
22 1/2' & 11 1/4' BENDS



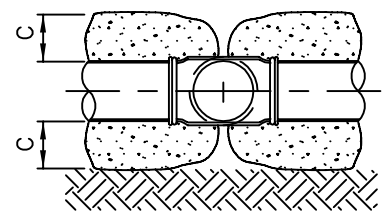
CROSS CONNECTION



SECTION F - F



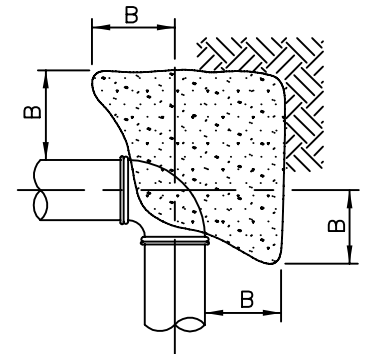
SECTION G - G



SECTION H - H

MINIMUM CONCRETE THRUST BLOCK DIMENSIONS

1035 Kpa WATER PRESSURE & 95.76 Kpa ALLOWABLE SOIL PRESURE									
FITTINGS	11 1/4' BEND	22 1/2' BEND	45' BEND	60' BEND	67 1/2' BEND	75' BEND	90' BEND	CROSS-TEE & PLUG	
RAR	0.198 A	0.390 A	0.765 A	A	1.112 A	1.218 A	1.414 A	A	
RAR = 2B x (2C + DIA.) & 2B ≥ (2C + DIA.) RAR = REACTION AREA REQUIRED A = AREA CONSTANT									
DIA. = 150 A=0.197	RAR	0.039	0.77	0.151	0.197	0.219	0.240	0.279	0.197
	B	100	150	220	250	250	275	310	250
	C	50 (MIN.)	50 (MIN.)	100	125	150	150	150	125
DIA. = 200 A=.350	RAR	0.069	0.137	0.268	0.350	0.389	0.426	0.495	0.350
	B	125	175	275	300	325	360	360	300
	C	75	100	150	200	200	200	250	200
DIA. = 250 A=0.547	RAR	0.108	0.213	0.418	0.547	0.608	0.666	0.773	0.547
	B	150	250	380	420	420	450	460	420
	C	75	100	150	200	250	250	300	200
DIA. = 300 A=0.788	RAR	0.156	0.307	0.603	0.788	0.876	0.960	1.114	0.788
	B	200	310	430	440	440	440	500	440
	C	75	100	200	300	350	400	400	300

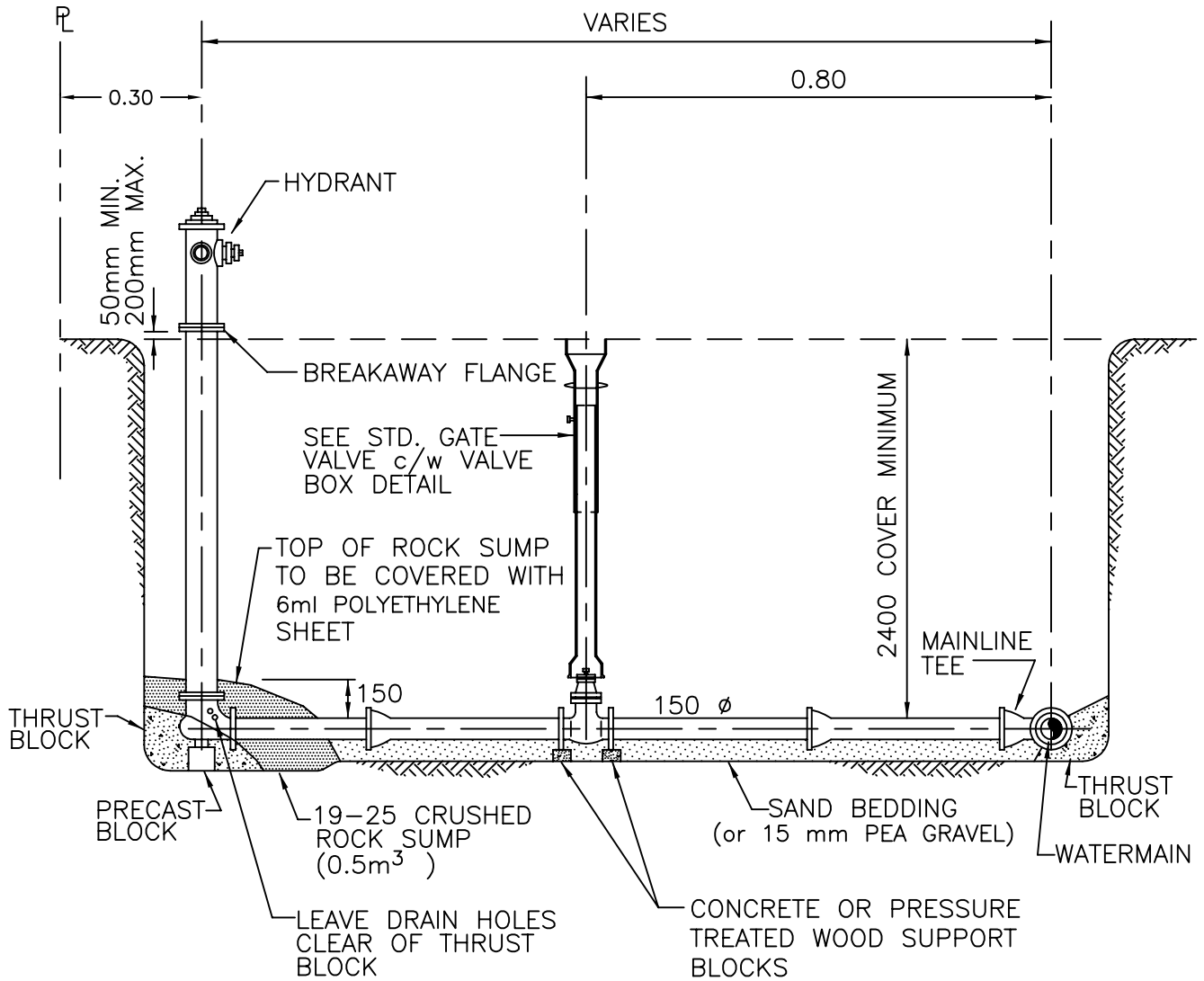


90° BEND

- NOTE:
- CONCRETE TO BE 25 Mpa @ 28 DAYS
 - CONCRETE TO BE TYPE 50 SULFATE RESISTANT
 - CONCRETE TO BE CLEAR OF BELLS & PIPE
 - MINIMUM 75mm CONCRETE UNDER ALL FITTINGS.

- THRUST BLOCK DESIGNED ON
- 100 Kpa ALLOWABLE SOIL BEARING PRESSURE.
 - 1.5 FACTOR OF SAFETY
 - 1035 Kpa PIPE WATER PRESSURE.
 - LARGER REACTION AREAS ARE REQUIRED IN POOR SOIL CONDITIONS.

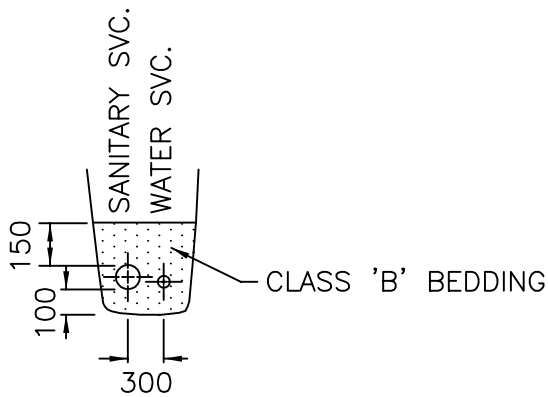
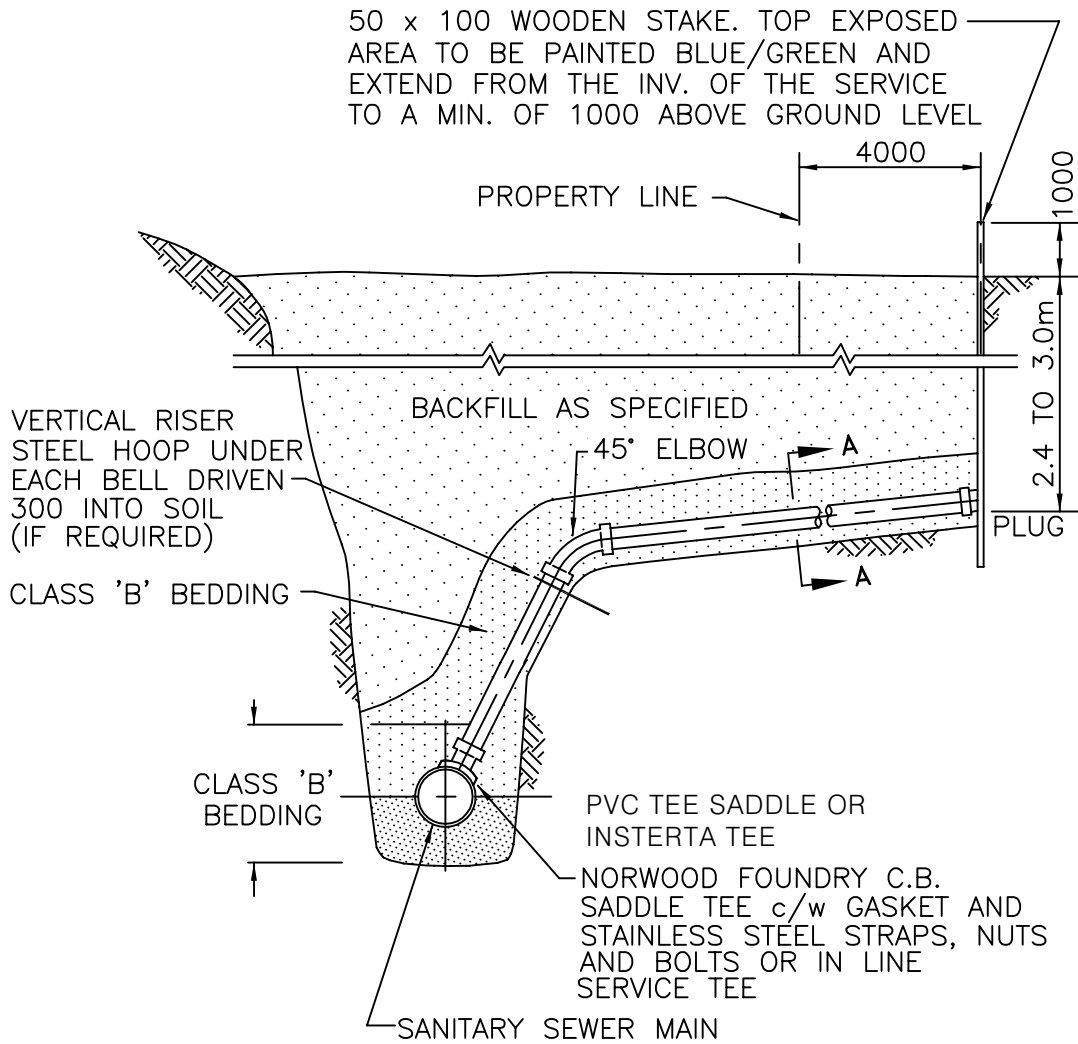
REVISIONS			Town of Claresholm	
Date	Details	Approved	THRUST BLOCK DETAIL	
			SCALE: N.T.S.	U4
			DATE: September, 2007	



NOTES:

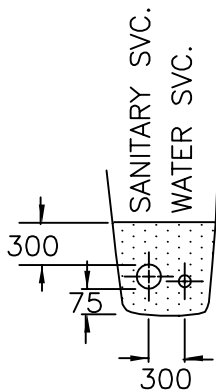
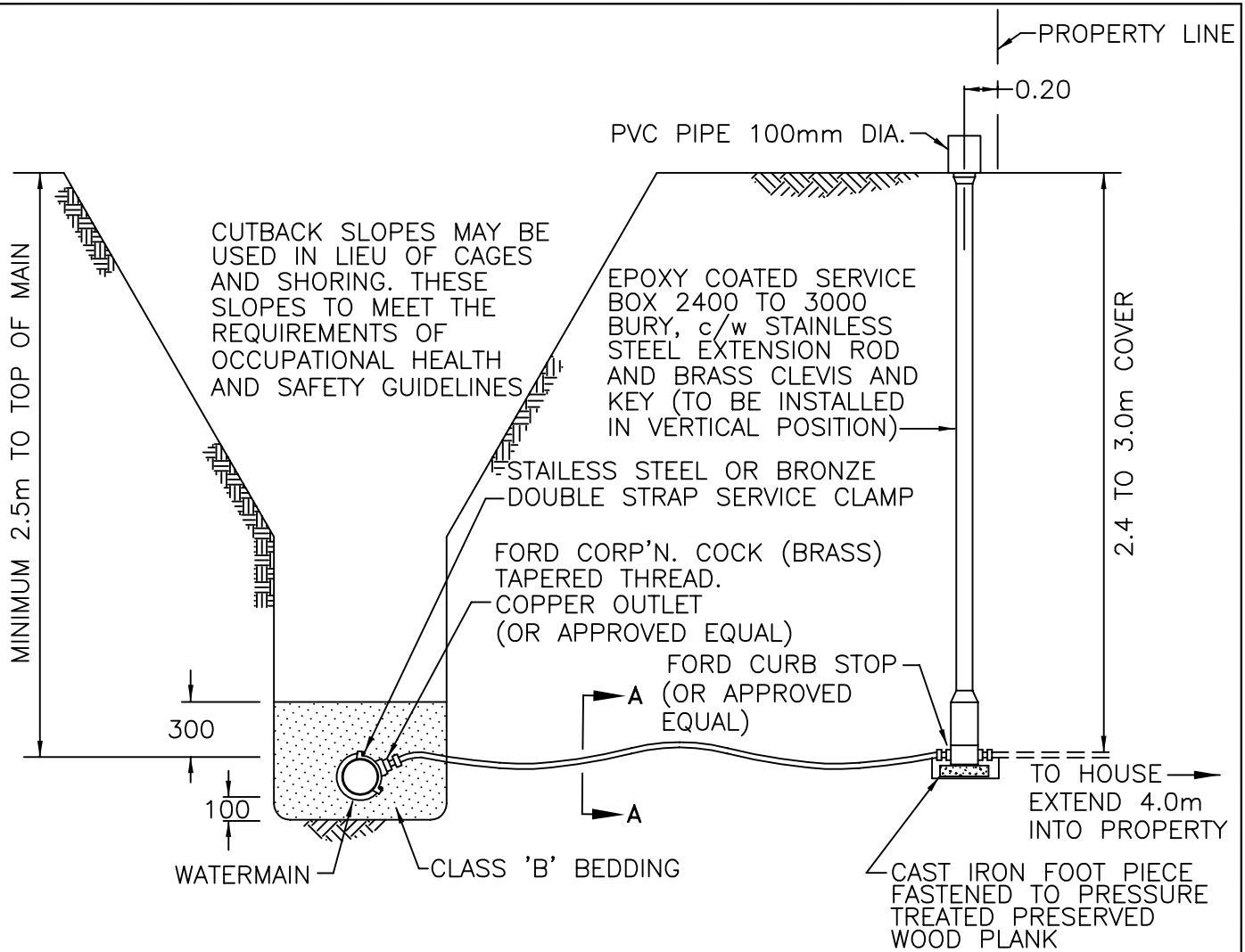
1. HYDRANT AND VALVE TO BE CATHODICALLY PROTECTED WITH A 11KG ZINC ANODE.
2. VALVE TO BE LOCATED AS SHOWN.
3. HYDRANT TO BE BRIGHT LIME WITH TOPS AND CAPS COLORED IN ACCORDANCE WITH NFPA GUIDELINES.
4. ALL NUTS AND BOLTS TO BE STAINLESS STEEL.
5. HYDRANT MUST NOT RESTRICT SIDEWALK.
6. OPERATOR AND CAPS TO HAVE PENTAGONAL NUTS.
7. HYDRANT SHOULD BE LOCATED SO PUMPER PORT FACES THE ROAD OR MOST ACCESSIBLE SPOT FOR A FIRE TRUCK TO CONNECT.

REVISIONS			Town of Claresholm	
Date	Details	Approved		
			STANDARD HYDRANT	
			APPROVED: I.D.C.	STD. DWG. No.
			SCALE: N.T.S.	U5
			DATE: September, 2007	



- NOTE :**
1. MIN SLOPE FOR 100mm DIA. PIPE IS 2%
 2. SERVICE CONNECTIONS SHALL BE MINIMUM 100mm DIA. SDR 35 PVC

REVISIONS			Town of Claresholm	
Date	Details	Approved		
			SANITARY SERVICE CONNECTION	
			APPROVED: I.D.C.	STD. DWG. No.
			SCALE: N.T.S.	U6
			DATE: September, 2007	



SECTION A (FACING PROPERTY)

NOTES:

1. WATER SERVICE TO BE TAPPED AT THE 10 OR 2 O'CLOCK POSITION.
2. WATER SERVICE TO BE TYPE HDPE SERIES 200 MUNICIPAL TUBING
3. WATER SERVICE TO BE SNAKED IN THE TRENCH.
4. WATER SERVICE GENTLE HORIZONTAL BEND AT THE CORPORATION STOP.
5. ALL FITTINGS TO BE PACKER NUT TYPE, NOT GRIPPER NUT.

6. CORPORATION STOPS TO BE STAGGERED AT LEAST 400mm APART, AND A MINIMUM 300mm FROM THE END OF A PIPE SECTION.

Date			Details			Approved		
Town of Claresholm								
20mm & 25 mm WATER SERVICE CONNECTION								
APPROVED: I.D.C.						STD. DWG. No.		
SCALE: N.T.S.						U7		
DATE: September, 2007								

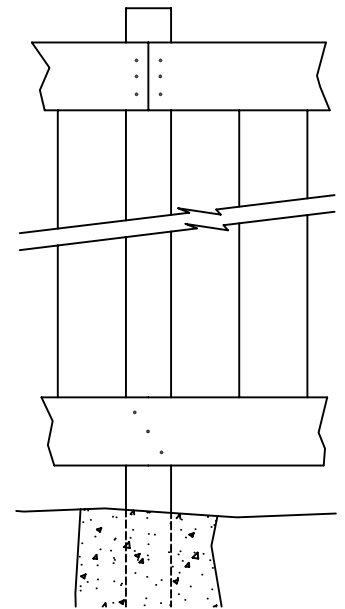
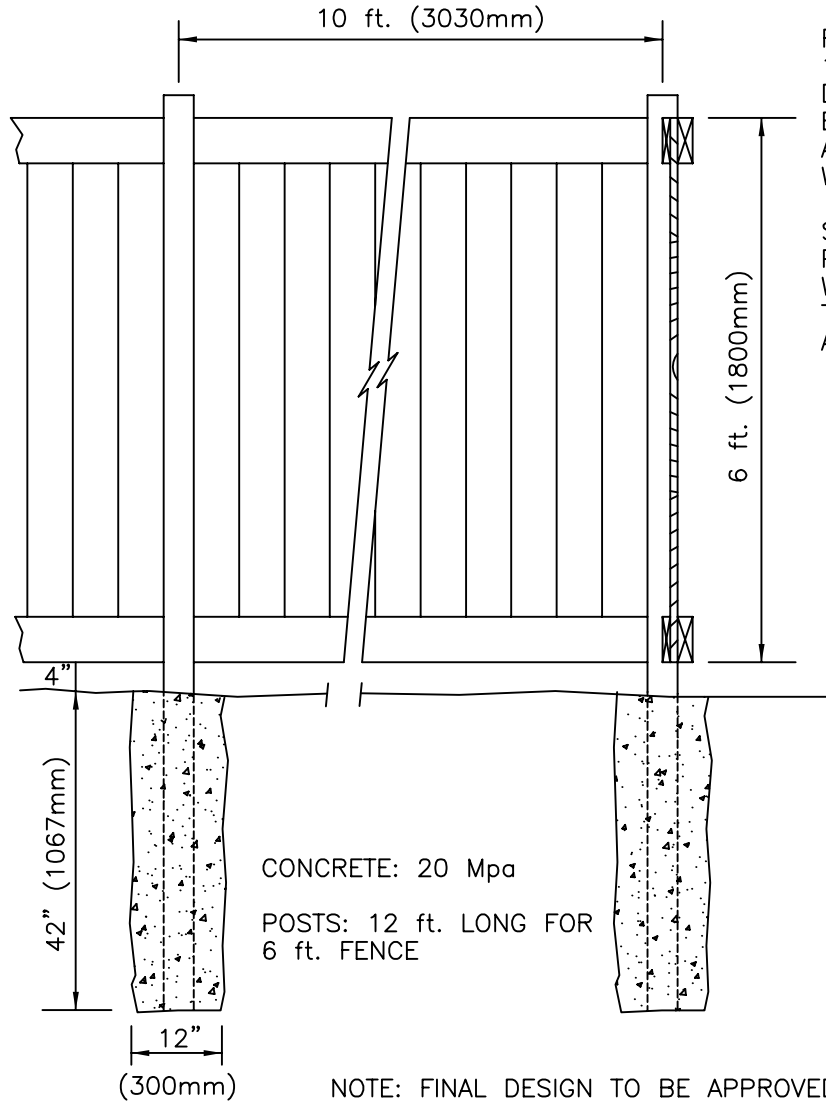
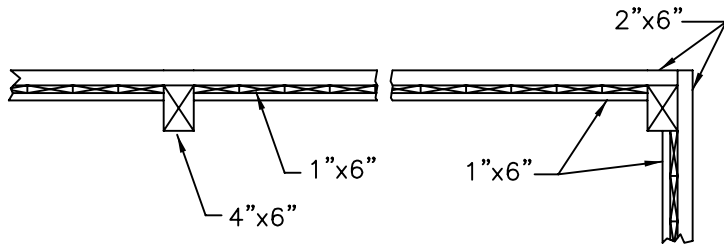
SPECIFICATIONS

POSTS:
 4"x6" (100mm x 152mm) FULL DIMENSION
 PRESSURE TREATED PINE. TOP ANGLE CUT.

STRINGERS:
 2"x6" (150mm x 152mm) S4S SMOOTH
 FINISH CEDAR TOP AND BOTTOM OUTSIDE
 STRINGERS. OUTSIDE STRINGERS ANCHORED
 WITH 3 - 4"(110mm) GALV. NAILS AT EACH
 POST CONNECTION. 1"x6" (25mm x 152mm)
 ROUGH SAWN CEDAR INSIDE STRINGER
 FASTENED WITH 3" (75mm) GALV. NAILS
 EVERY 24" (600mm) ON CENTER.

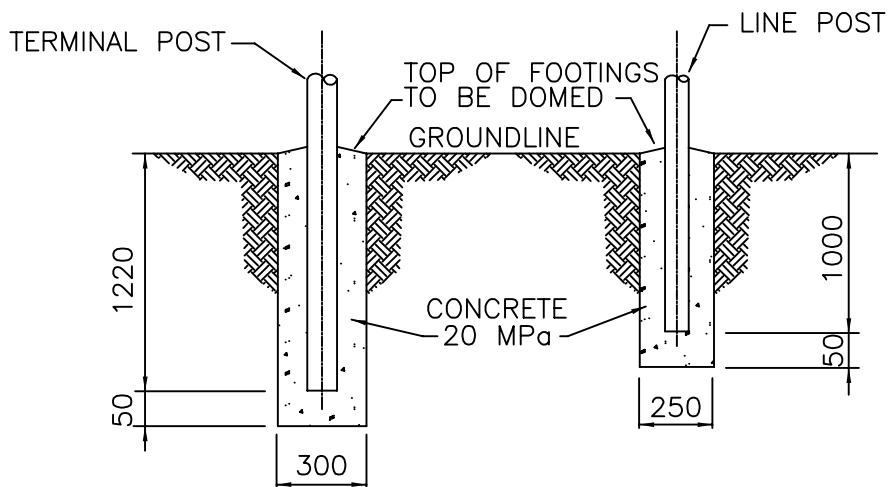
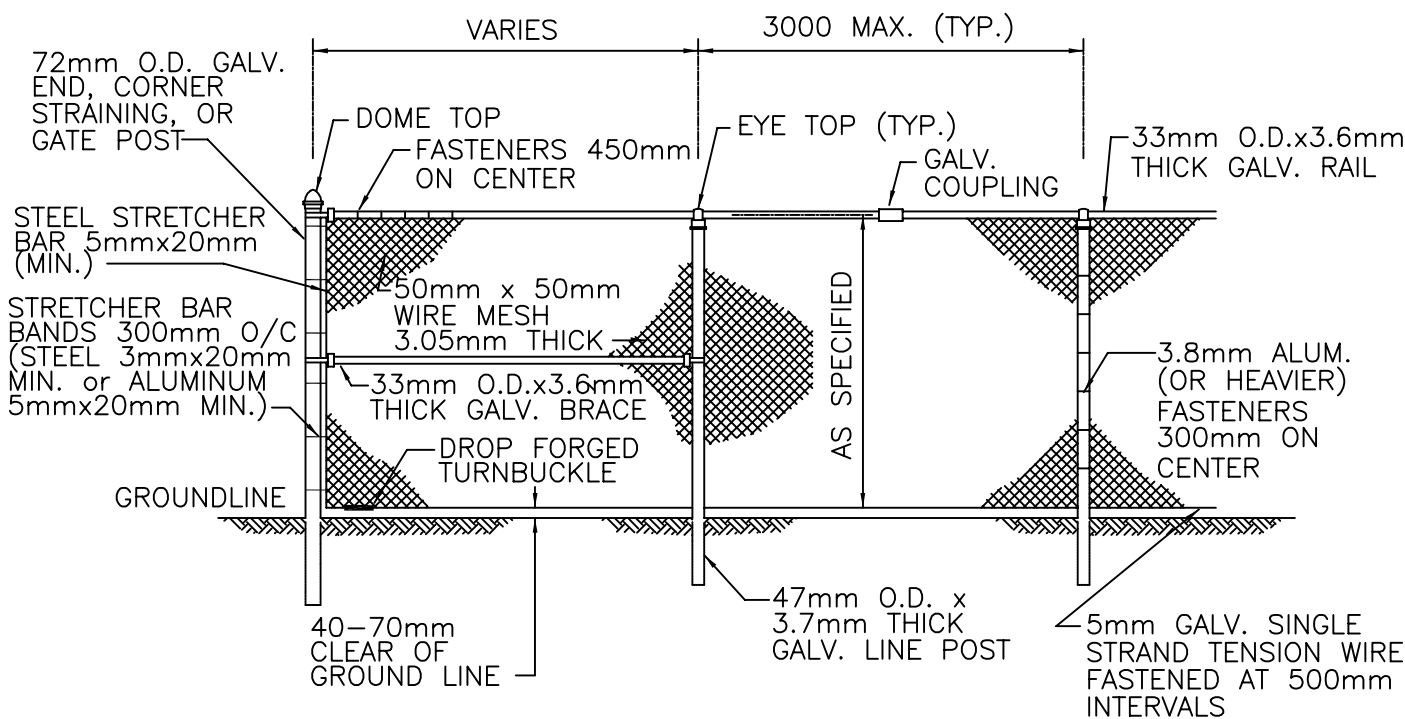
FENCE BOARDS:
 1"x6" (25mm x 152mm) FULL
 DIMENSION ROUGH SAWN FINISH CEDAR-
 BUTTED TOGETHER. FASTENED TO TOP
 AND BOTTOM MAIN SUPPORT STRINGERS
 WITH 2" (50mm) COATED STAPLES.

STAINING:
 PRESTAINED PRIOR TO CONSTRUCTION
 WITH ONE COAT SOLID COLOR WOOD STAIN.
 TOUCH UP OF SCUFFS AND MARKS IN FIELD
 AFTER CONSTRUCTION.



TYPICAL NAILING PATTERN

REVISIONS			Town of Claresholm	
Date	Details	Approved		
			TYPICAL CEDAR FENCING	
			APPROVED: I.D.C.	STD. DWG. No.
			SCALE: N.T.S.	L1
			DATE: September, 2007	



POST FOOTING DETAIL

- 2.7 GATE WIDTH
- 1520 FABRIC HEIGHT
- INSTALL KNUCKLED EDGE AT BOTTOM AND BARBED EDGE AT TOP.

REVISIONS			Town of Claresholm	
Date	Details	Approved		
			CHAIN LINK FENCE	
			APPROVED: I.D.C.	STD. DWG. No.
			SCALE: N.T.S.	L2
			DATE: September, 2007	